

---

**APPENDIX F-A**  
**Civil & Structural Drawings (R2)**

---

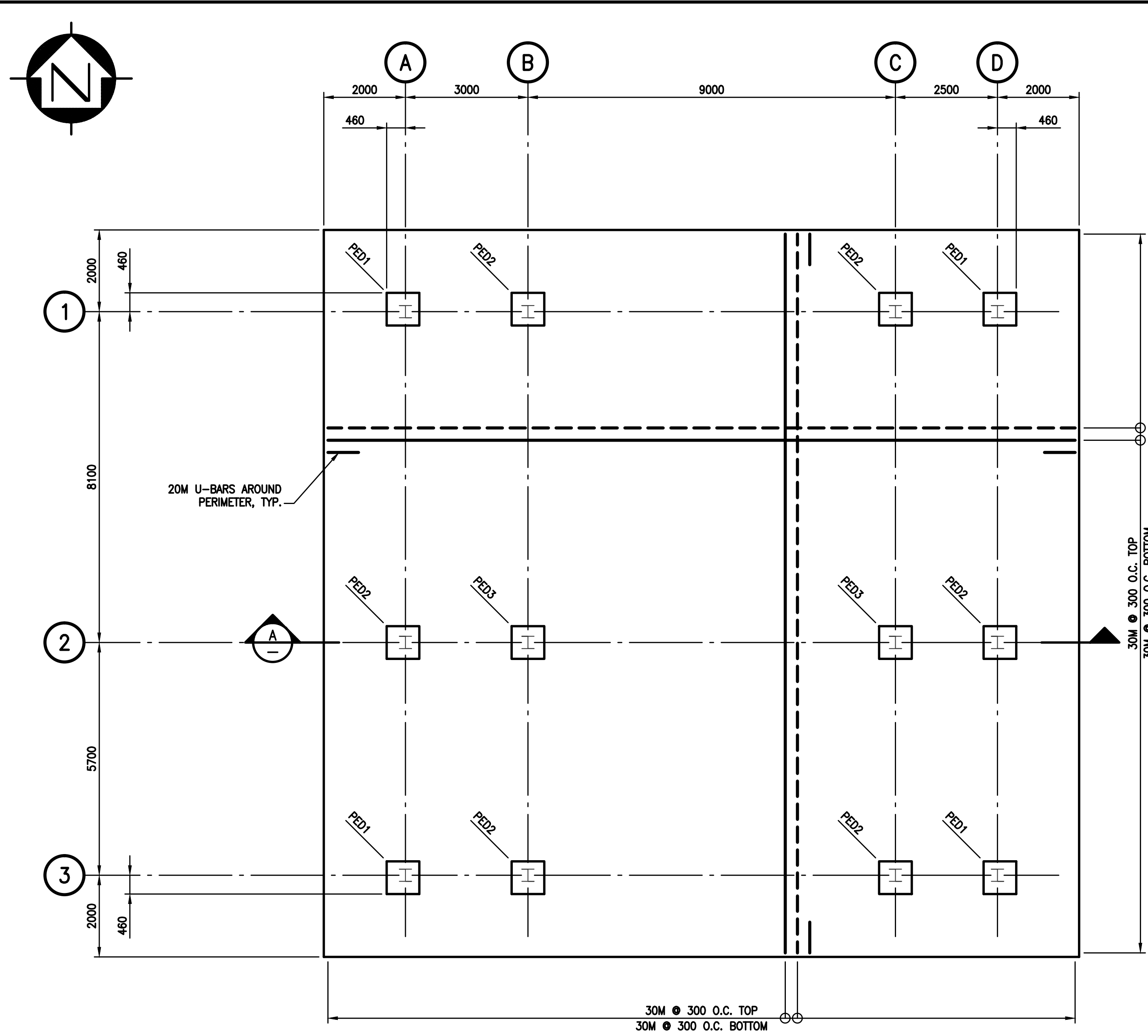


**For District of North Vancouver Review Only**

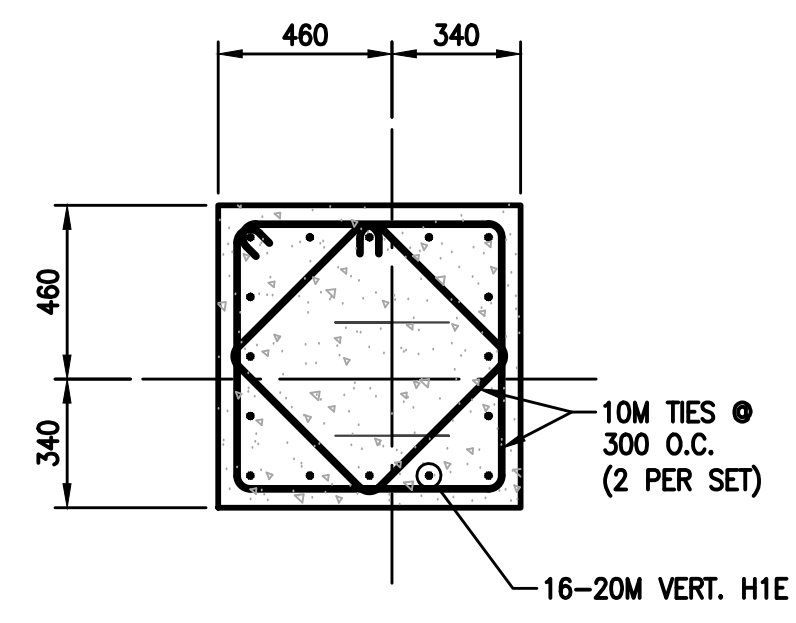
---

**Fibreco Export Terminal Enhancement**  
**Permit Application Document**

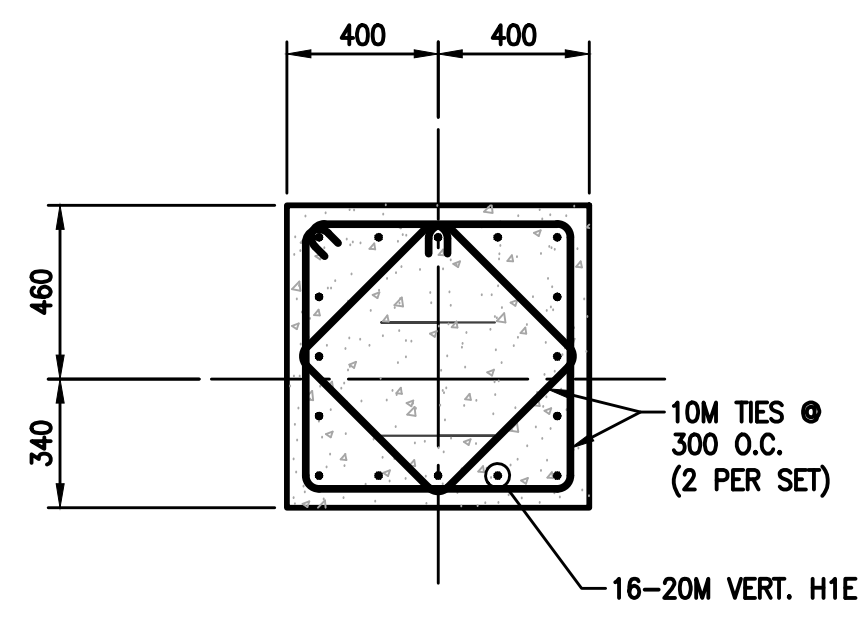
---



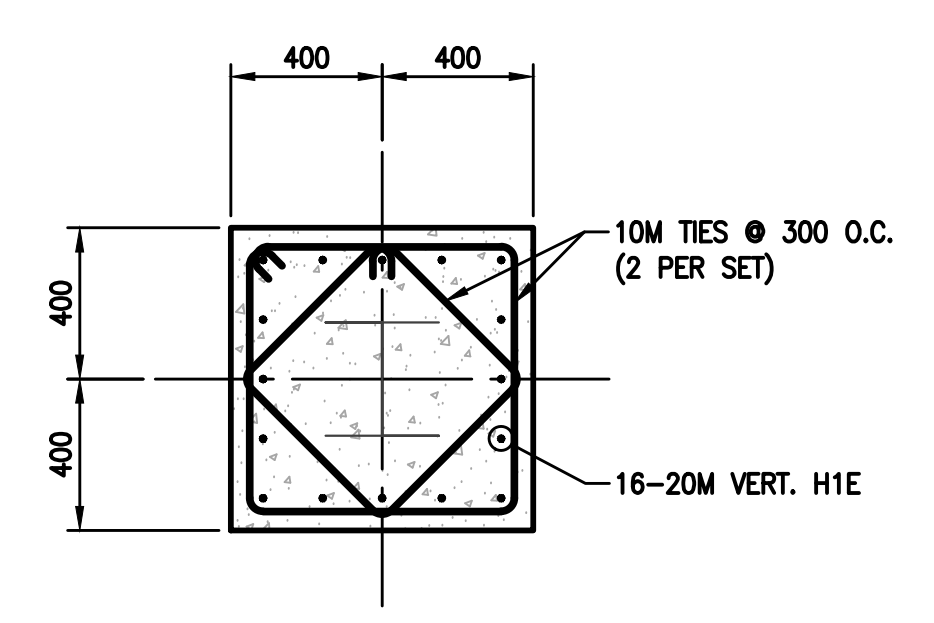
**ROOF PLAN**  
1:75



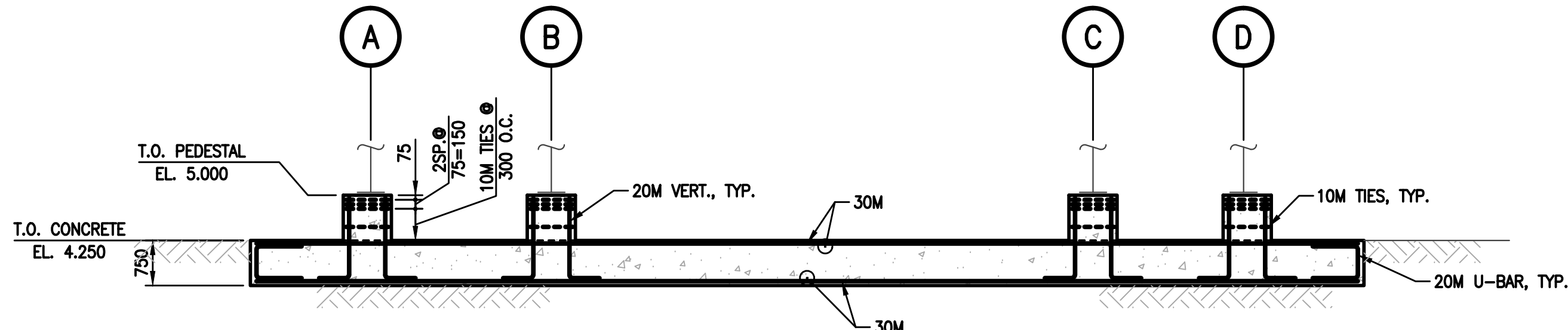
**PED1**  
1:20  
(4 REQUIRED)



**PED2**  
1:20  
(6 REQUIRED)



**PED3**  
1:20  
(2 REQUIRED)



**SECTION A**  
1:75

**NOTES:**

- 1. FOR GENERAL NOTES SEE REF.1.

**PRELIMINARY  
NOT FOR CONSTRUCTION**

REF.	DWG. NUMBER	DESCRIPTION
1	15006-100-ST-001	GENERAL NOTES

**FIBRECO**

FIBRECO EXPORT INC.  
1209 McKeen Ave.  
North Vancouver, B.C.  
V7P 3H9  
TEL: (604) 980-6543  
FAX: (604) 984-2593

No.	DATE	DESCRIPTION	DRAWN	DWG. CHECK	DESIGN	DESIGN CHECK	APPROVED
P2	2016-08-24	ISSUED FOR CLIENT REVIEW - CONCRETE WALL REMOVED	CPL	-	-	-	-
P1	2015-09-23	ISSUED FOR BUDGETARY PRICING	CPL	-	-	-	-

**CWA**  
www.cwaengineers.com

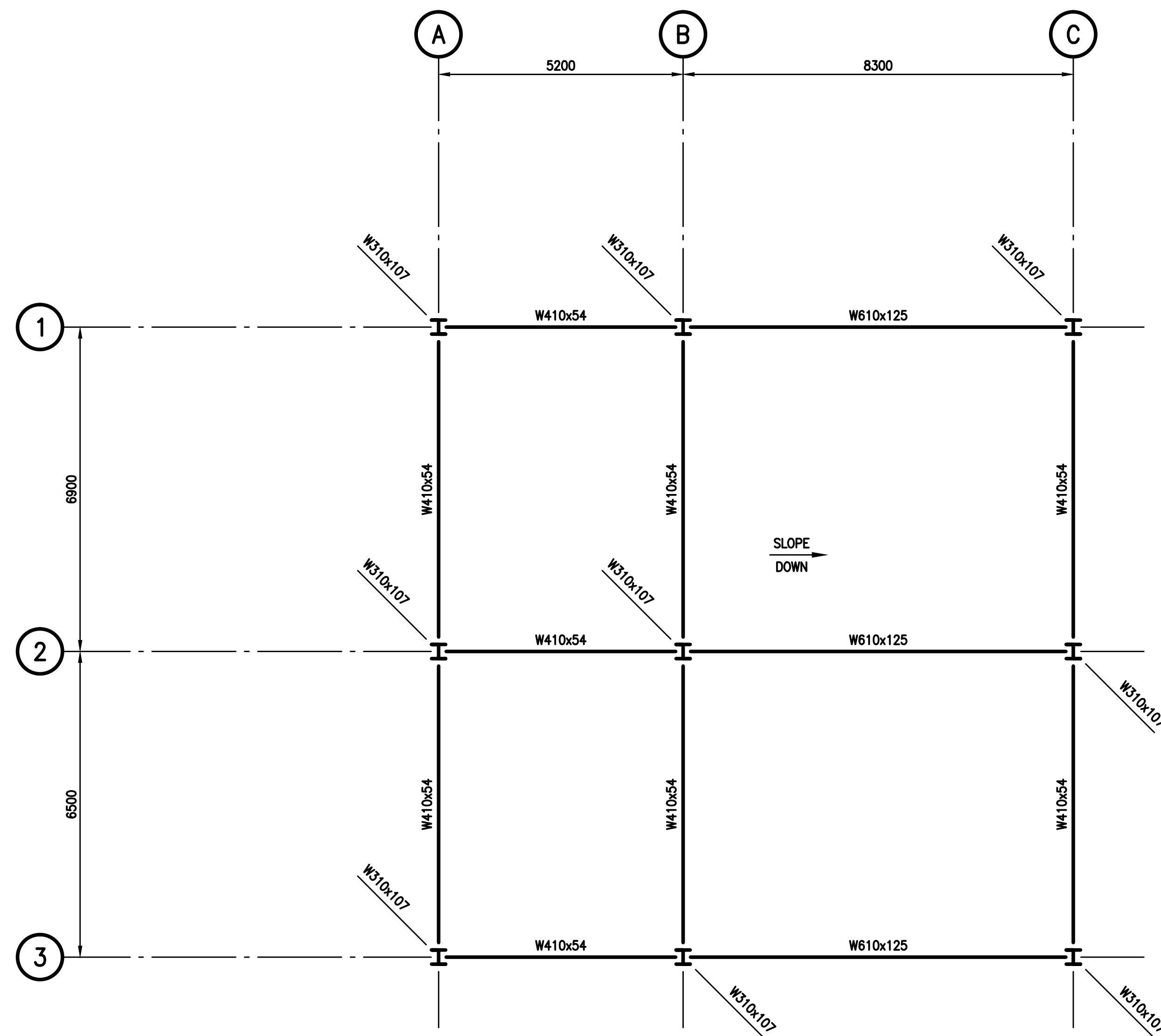
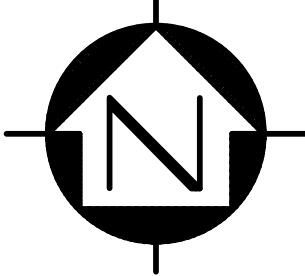
This drawing has been prepared by CWA Engineers Inc. as an instrument of service and is the exclusive property of CWA. This drawing shall be used solely for the purpose of this project. The client agrees that this drawing shall not be used for purposes other than those intended, and shall hold the engineer harmless for any other such use.

**FIBRECO EXPORT INC.**  
NORTH VANCOUVER, B.C.  
**FIBRECO TERMINAL ENHANCEMENT PROJECT**

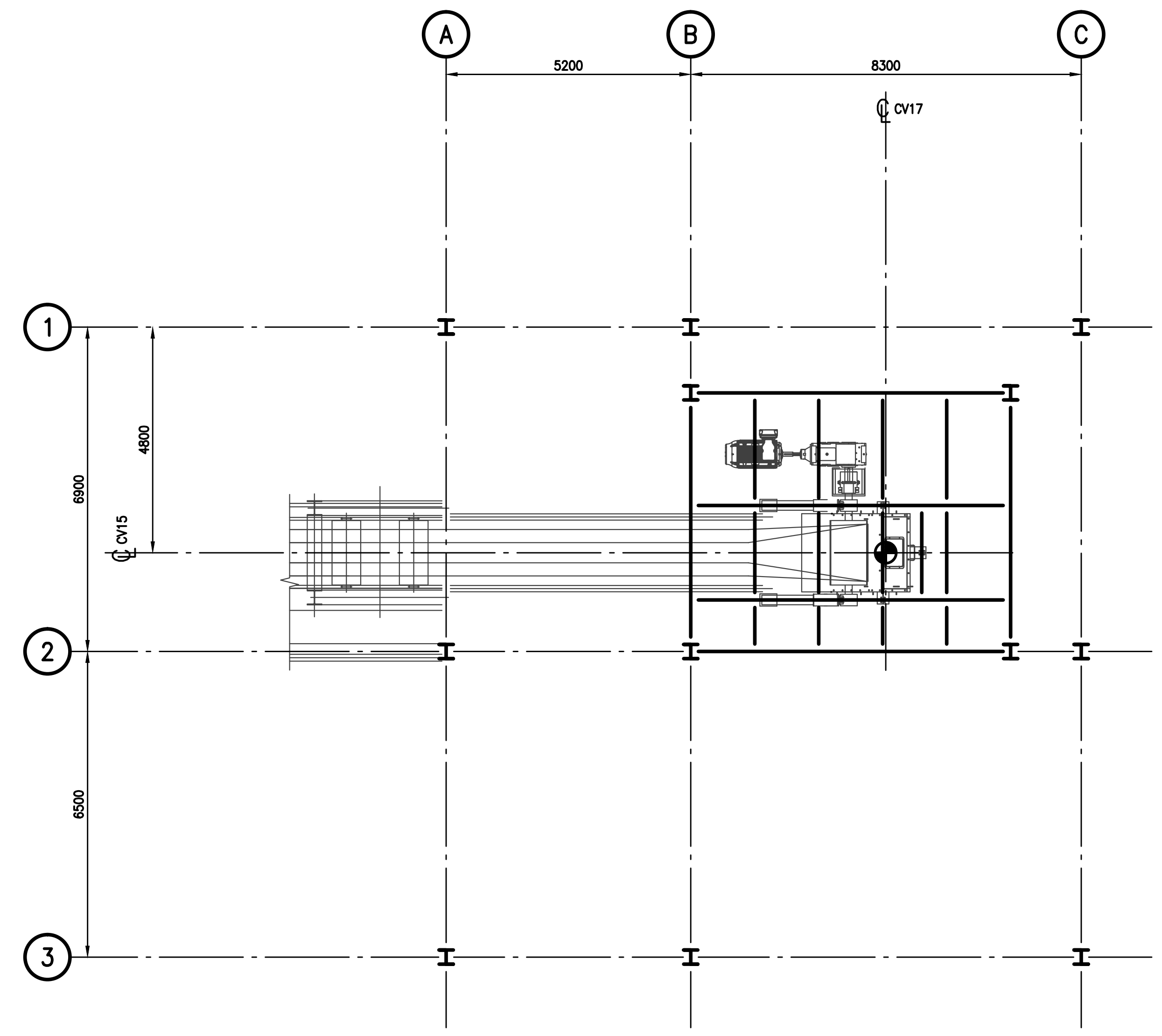
**INBOUND AREA  
TRANSFER TOWER 1  
FOUNDATION PLAN**

15006 200 ST 020 P2

PROJECT No. AREA DEPT. DWG. No. REV.



**ROOF PLAN**  
1:75



**PLAN - T.O. STEEL FL. 20.800m (U.N.O.)**  
1:75

**NOTES:**

- FOR GENERAL NOTES SEE REF.1.

**PRELIMINARY  
NOT FOR CONSTRUCTION**

REF.	DWG. NUMBER	DESCRIPTION
X	15006-200-ST-025	INBOUND AREA - TRANSFER TOWER 1 - ELEVATIONS
1	15006-100-ST-001	GENERAL NOTES

**FIBRECO EXPORT INC.**  
1209 McKeen Ave.  
North Vancouver, B.C.  
V7P 3H9  
TEL: (604) 980-6543  
FAX: (604) 984-2593

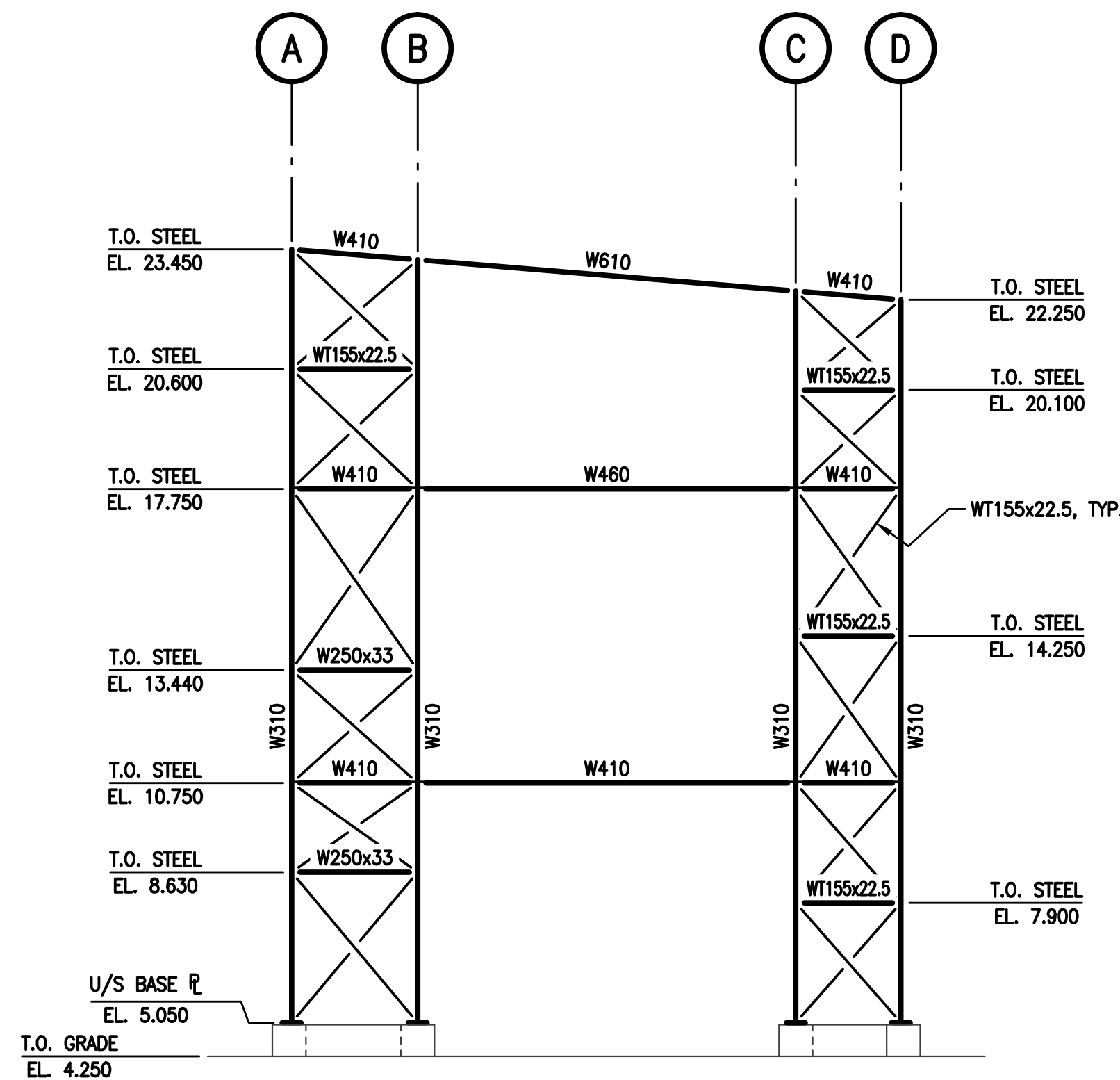
No.	DATE	DESCRIPTION	DRAWN	DWG. CHECK	DESIGN	DESIGN CHECK	APPROVED
P2	2016-08-24	ISSUED FOR CLIENT REVIEW - CLADDING REMOVED	CPL	-	-	-	-
P1	2015-09-11	ISSUED FOR BUDGETARY PRICING	CPL	-	-	-	-
No.	YYYY-MM-DD	DESCRIPTION	DRAWN	DWG. CHECK	DESIGN	DESIGN CHECK	APPROVED

**FIBRECO EXPORT INC.**  
NORTH VANCOUVER, B.C.  
www.cwaengineers.com

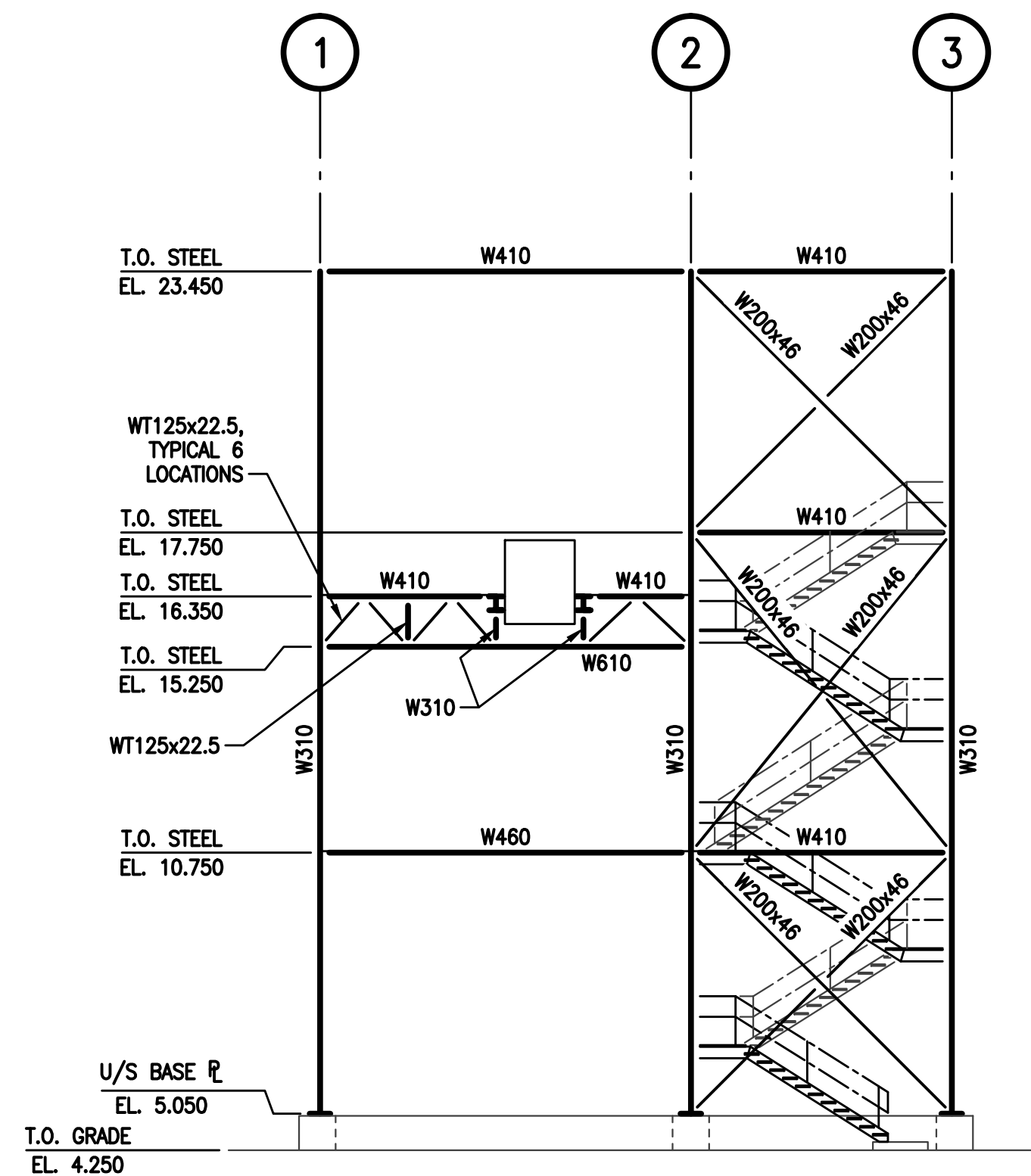
**FIBRECO TERMINAL ENHANCEMENT PROJECT**

**INBOUND AREA  
TRANSFER TOWER 1  
PLANS**

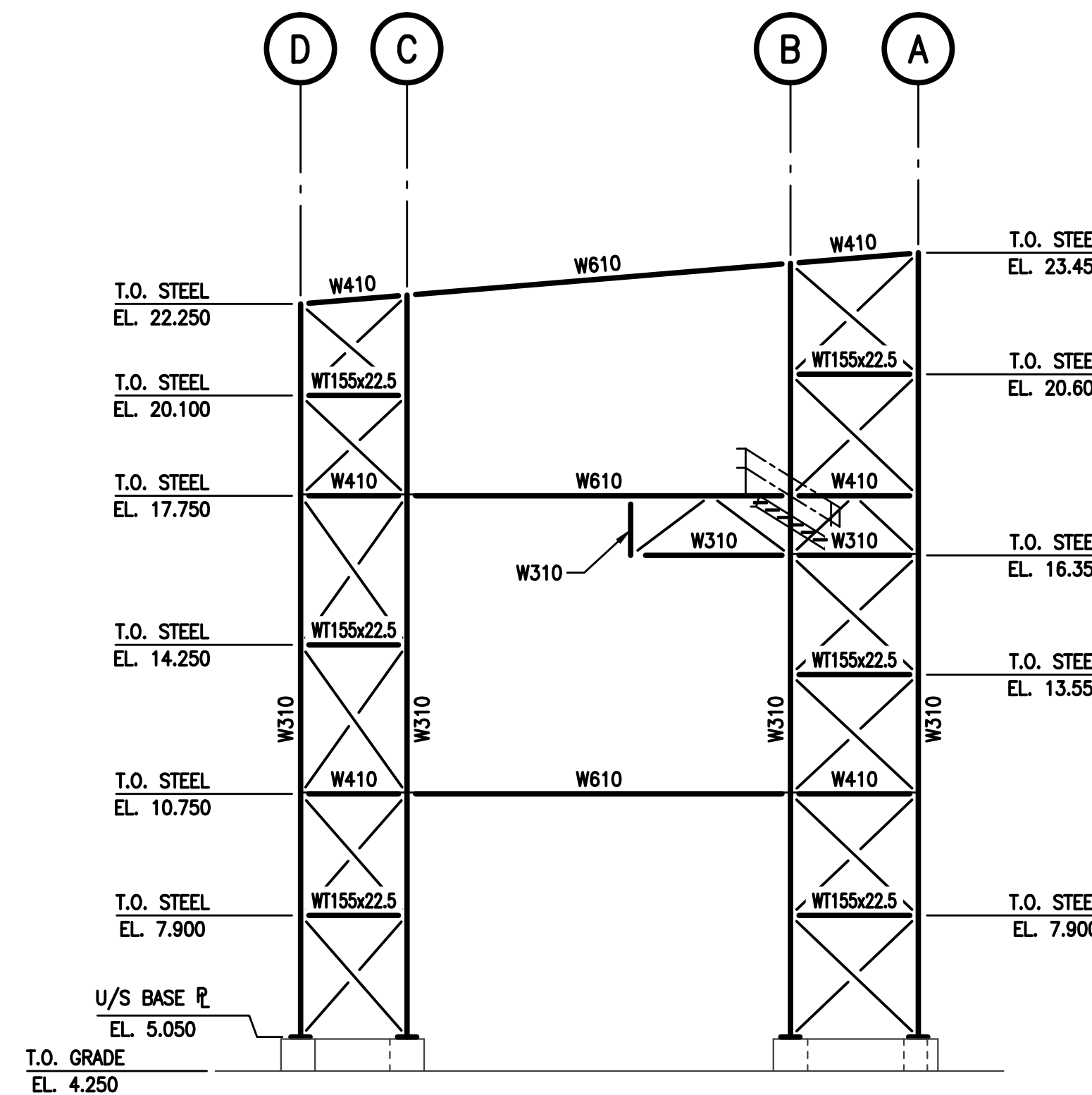
15006	200	ST	021	P2
-------	-----	----	-----	----



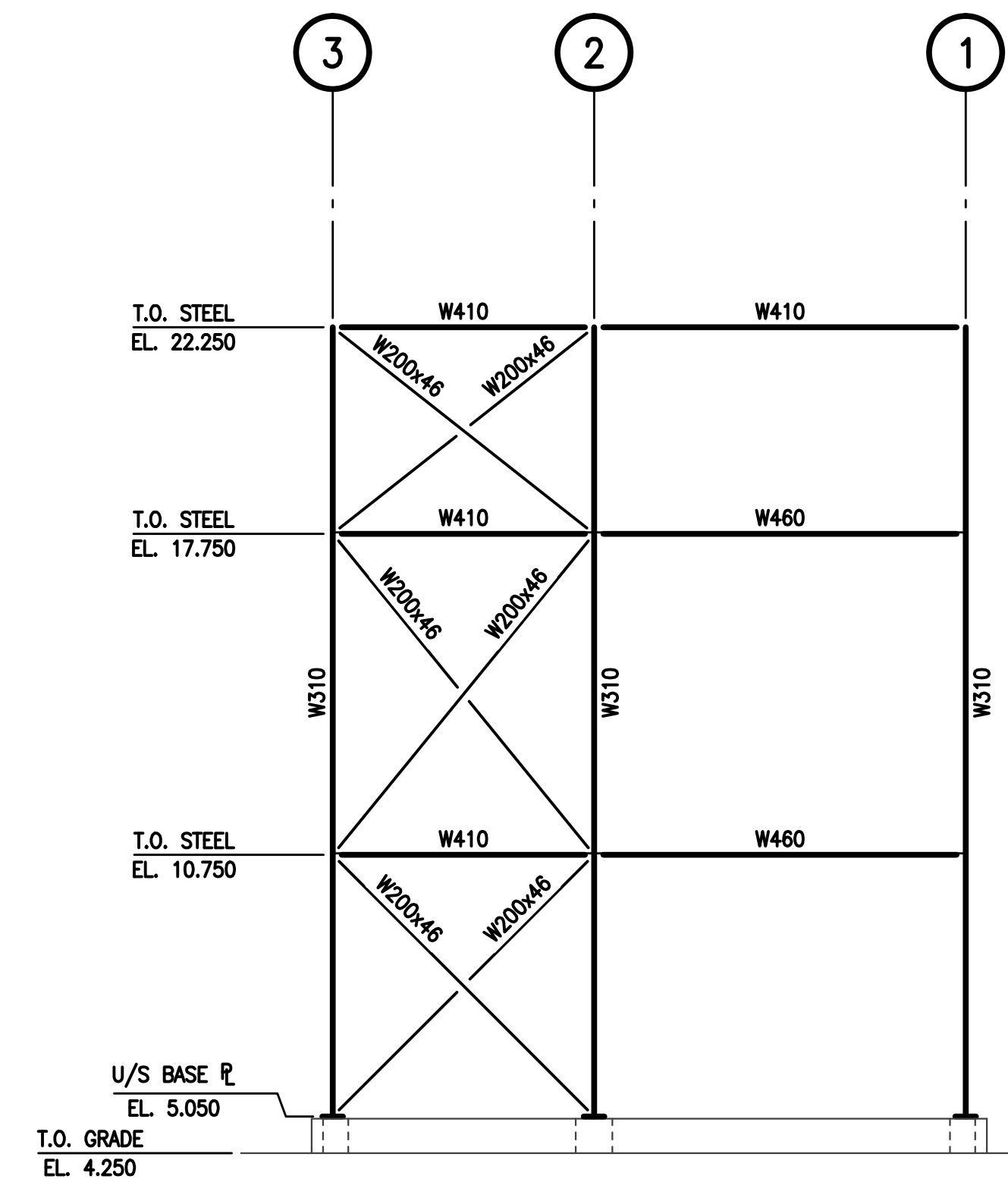
**SOUTH ELEVATION**  
1:125



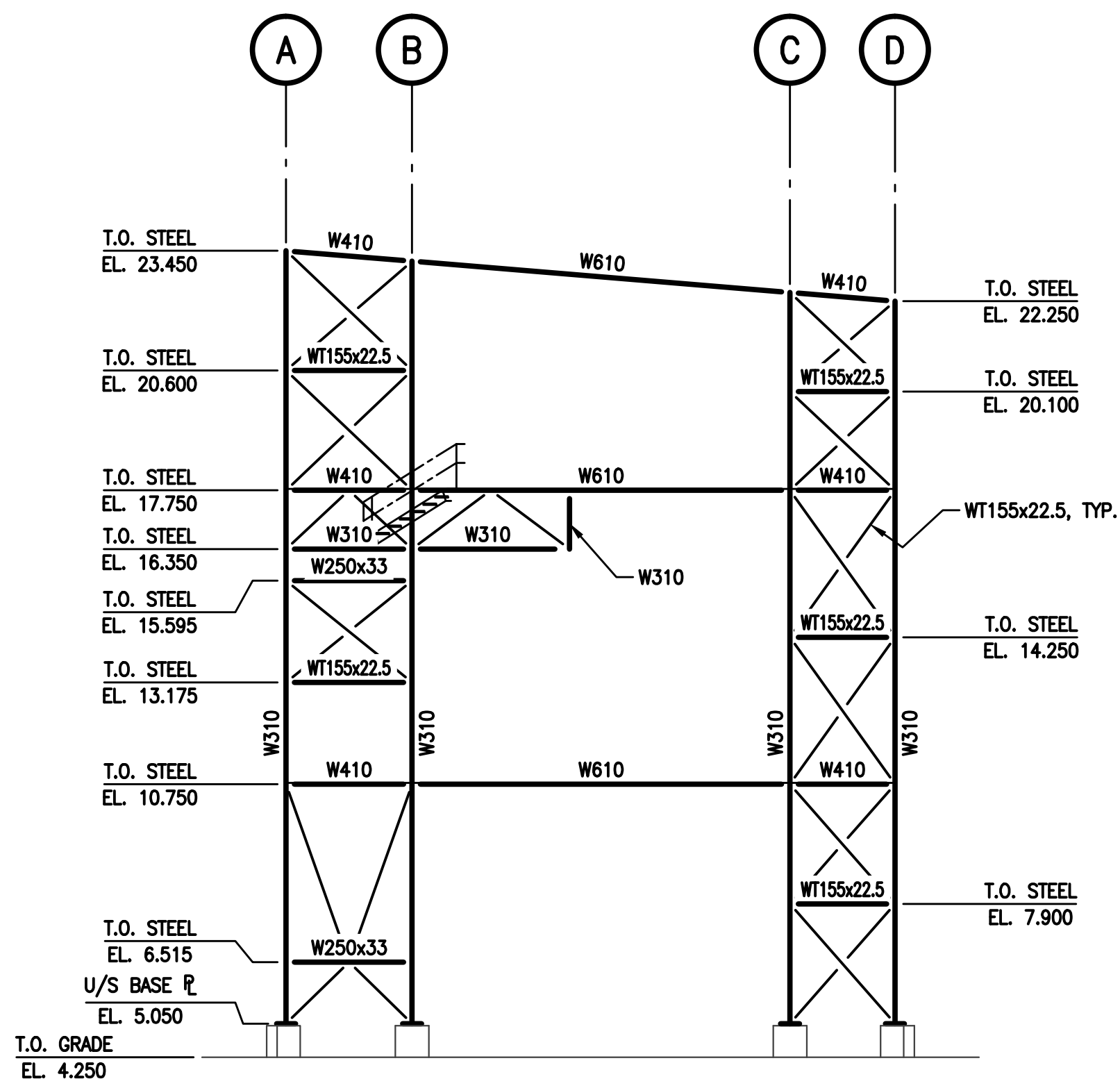
**WEST ELEVATION**  
1:125



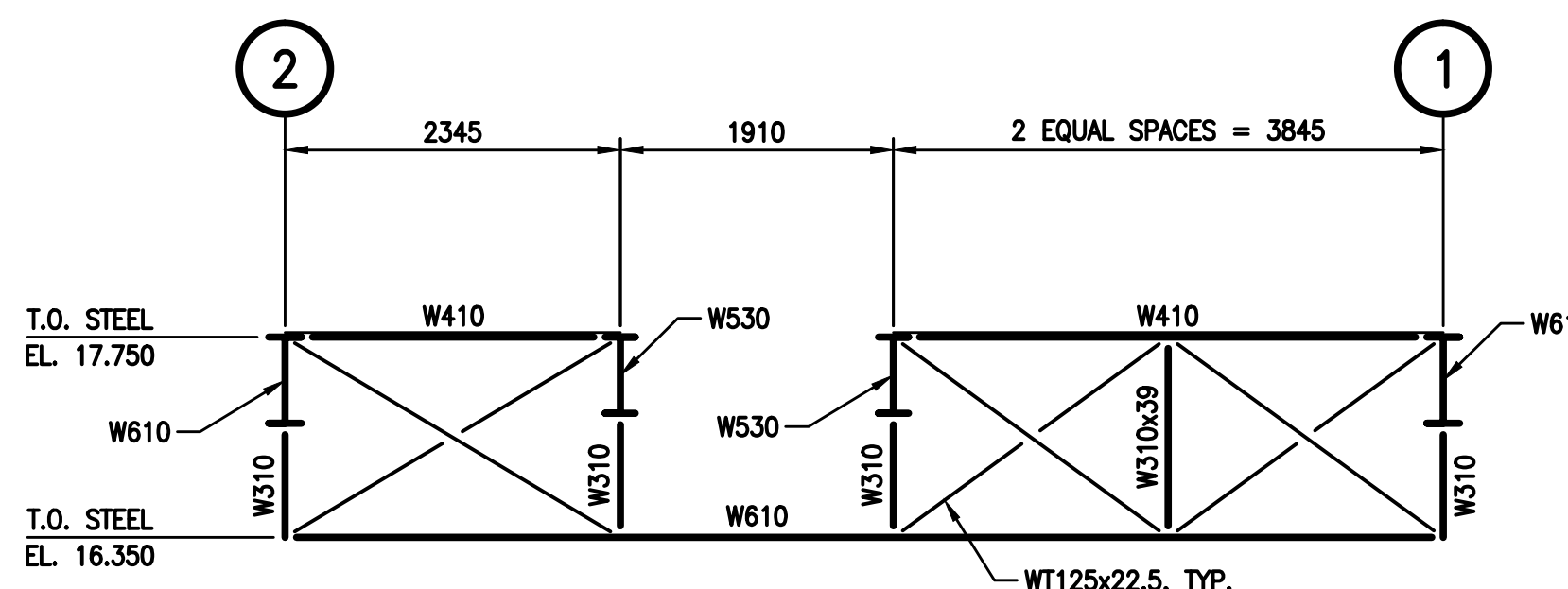
**NORTH ELEVATION**  
1:125



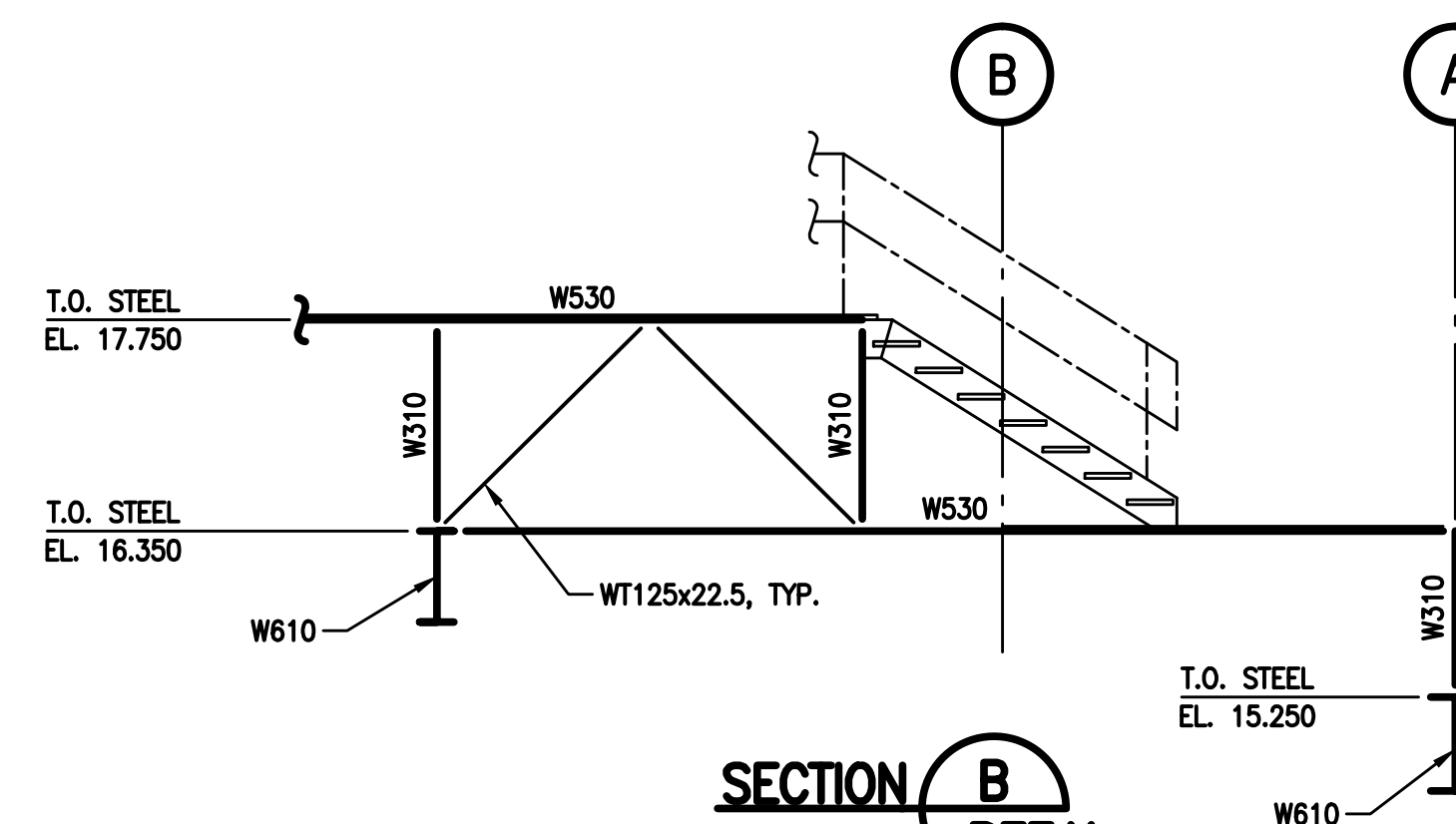
**EAST ELEVATION**  
1:125



**BAYLINE '2' ELEVATION**  
1:125



**SECTION A**  
1:50  
REF.X



**SECTION B**  
1:50  
REF.X

**NOTES:**

- FOR GENERAL NOTES SEE REF.1.

**PRELIMINARY  
NOT FOR CONSTRUCTION**

REF.	DWG. NUMBER	DESCRIPTION
X	15006-200-ST-021	INBOUND AREA - TRANSFER TOWER 1 - PLANS
1	15006-100-ST-001	GENERAL NOTES

**FIBRECO**

FIBRECO EXPORT INC.  
1209 McKeen Ave.  
North Vancouver, B.C.  
V7P 3H9  
TEL: (604) 980-6543  
FAX: (604) 984-2593

CLIENT PROJECT No: CWA ACAD FILE: 15006-200-ST-025\_P2.DWG

No.	DATE	DESCRIPTION	DRAWN	DWG. CHECK	DESIGN	DESIGN CHECK	APPROVED
P2	2016-08-24	ISSUED FOR CLIENT REVIEW - CLADDING REMOVED	CPL	-	-	-	-
P1	2015-09-11	ISSUED FOR BUDGETARY PRICING	CPL	-	-	-	-

**CWA**  
www.cwaengineers.com

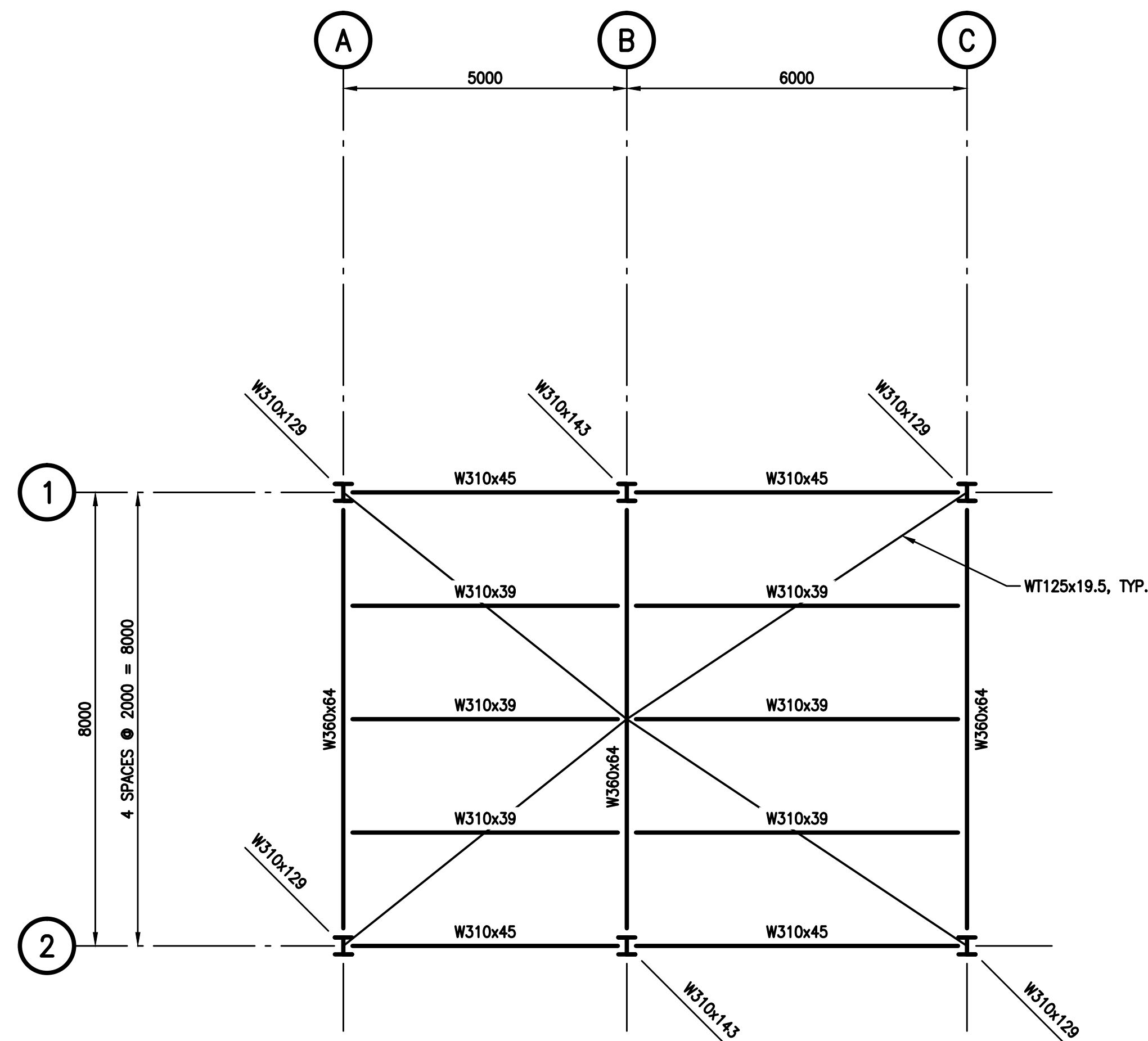
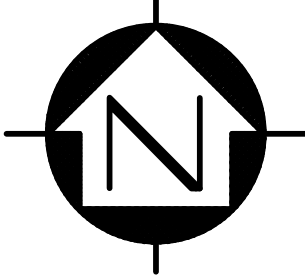
This drawing has been prepared by CWA Engineers Inc. as an instrument of service and is the exclusive property of CWA. This drawing shall be used solely for the purpose of this project. The client agrees that this drawing shall not be used for purposes other than those intended, and shall hold the engineer harmless for any other such use.

**FIBRECO EXPORT INC.**  
NORTH VANCOUVER, B.C.  
FIBRECO TERMINAL ENHANCEMENT PROJECT

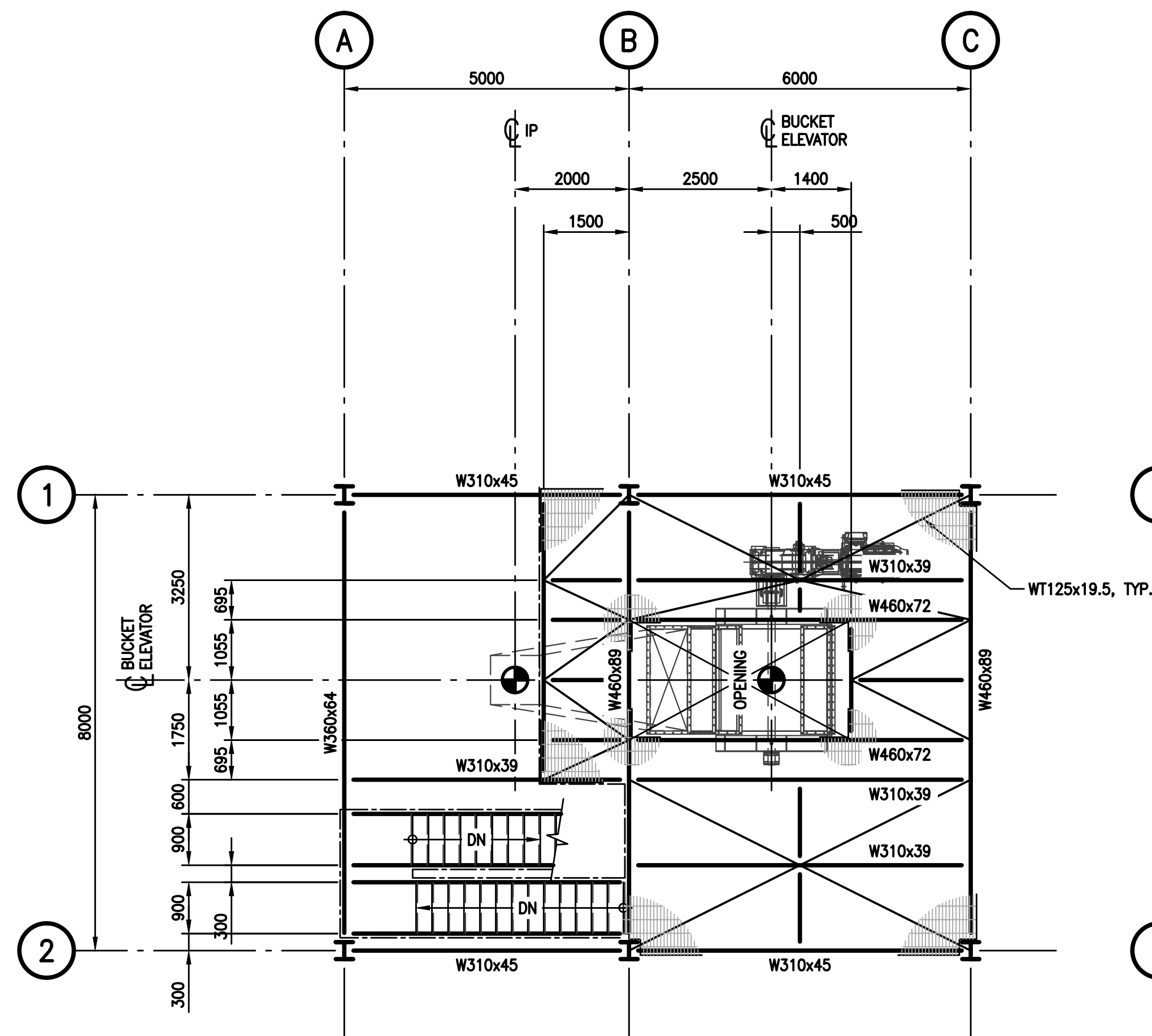
**INBOUND AREA  
TRANSFER TOWER 1  
ELEVATIONS**

15006 200 ST 025 P2

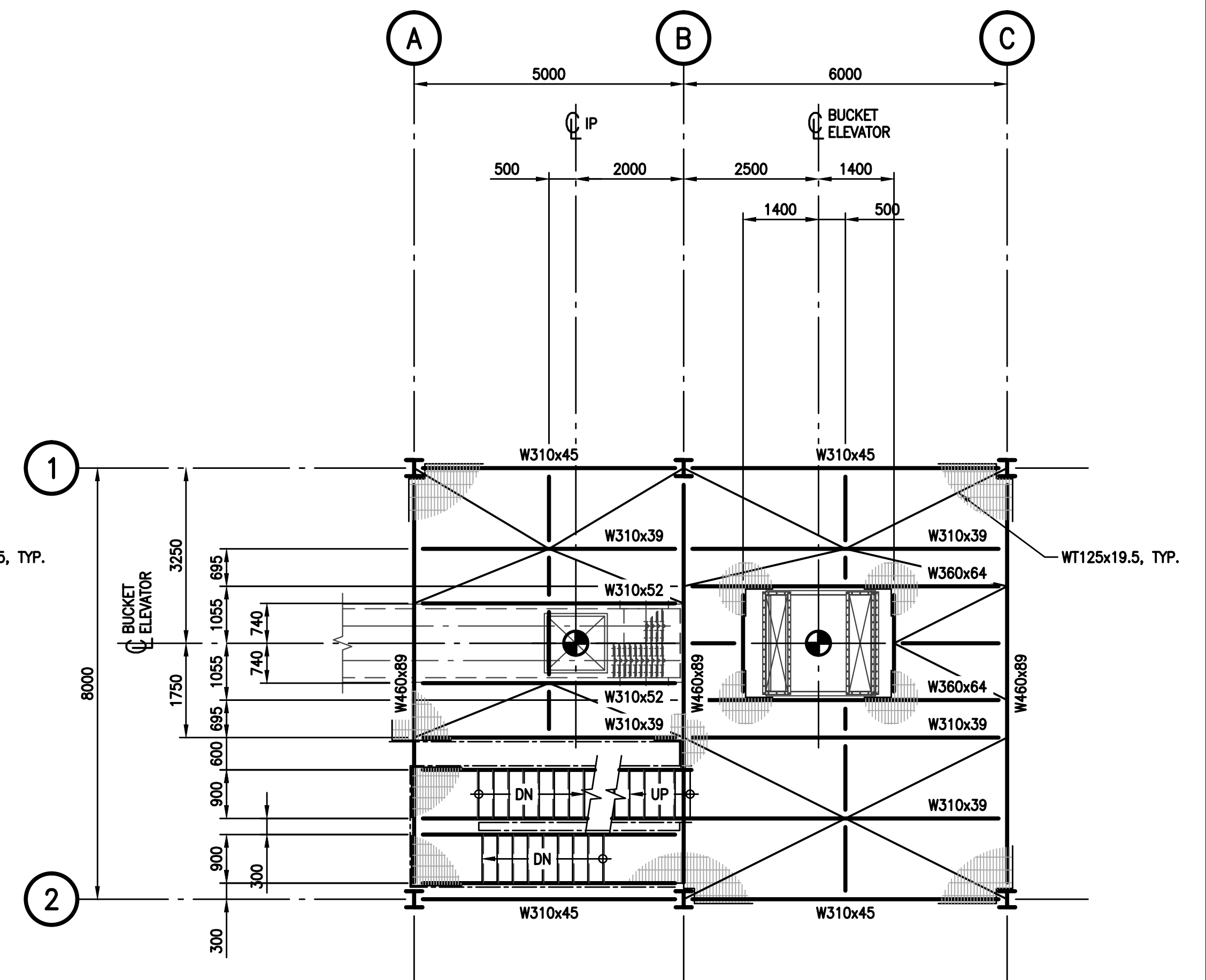
DRAWN BY: CPL SCALE: AS NOTED PROJECT No. AREA DEPT. DWG. No. REV.



**ROOF PLAN**  
1:75



**PLAN - T.O. STEEL EL. 50.500m (U.N.O.)**  
1:75  
(NOTE: ALL MEMBERS TO BE W200x27 U.N.O.)



**PLAN - T.O. STEEL EL. 45.300m (U.N.O.)**  
1:75  
(NOTE: ALL MEMBERS TO BE W200x27 U.N.O.)

**NOTES:**

1. FOR GENERAL NOTES SEE REF.1.

**PRELIMINARY  
NOT FOR CONSTRUCTION**

REF.	DWG. NUMBER	DESCRIPTION
1	15006-100-ST-001	GENERAL NOTES

**FIBRECO**

FIBRECO EXPORT INC.  
1209 McKeen Ave.  
North Vancouver, B.C.  
V7P 3H9  
TEL: (604) 980-6543  
FAX: (604) 984-2593

No.	DATE	DESCRIPTION	DRAWN	DWG. CHECK	DESIGN	DESIGN CHECK	APPROVED
P1	2016-08-24	ISSUED FOR CLIENT REVIEW - CLADDING REMOVED	CPL	-	-	-	-
No.	YYYY-MM-DD	DESCRIPTION	DRAWN	DWG. CHECK	DESIGN	DESIGN CHECK	APPROVED

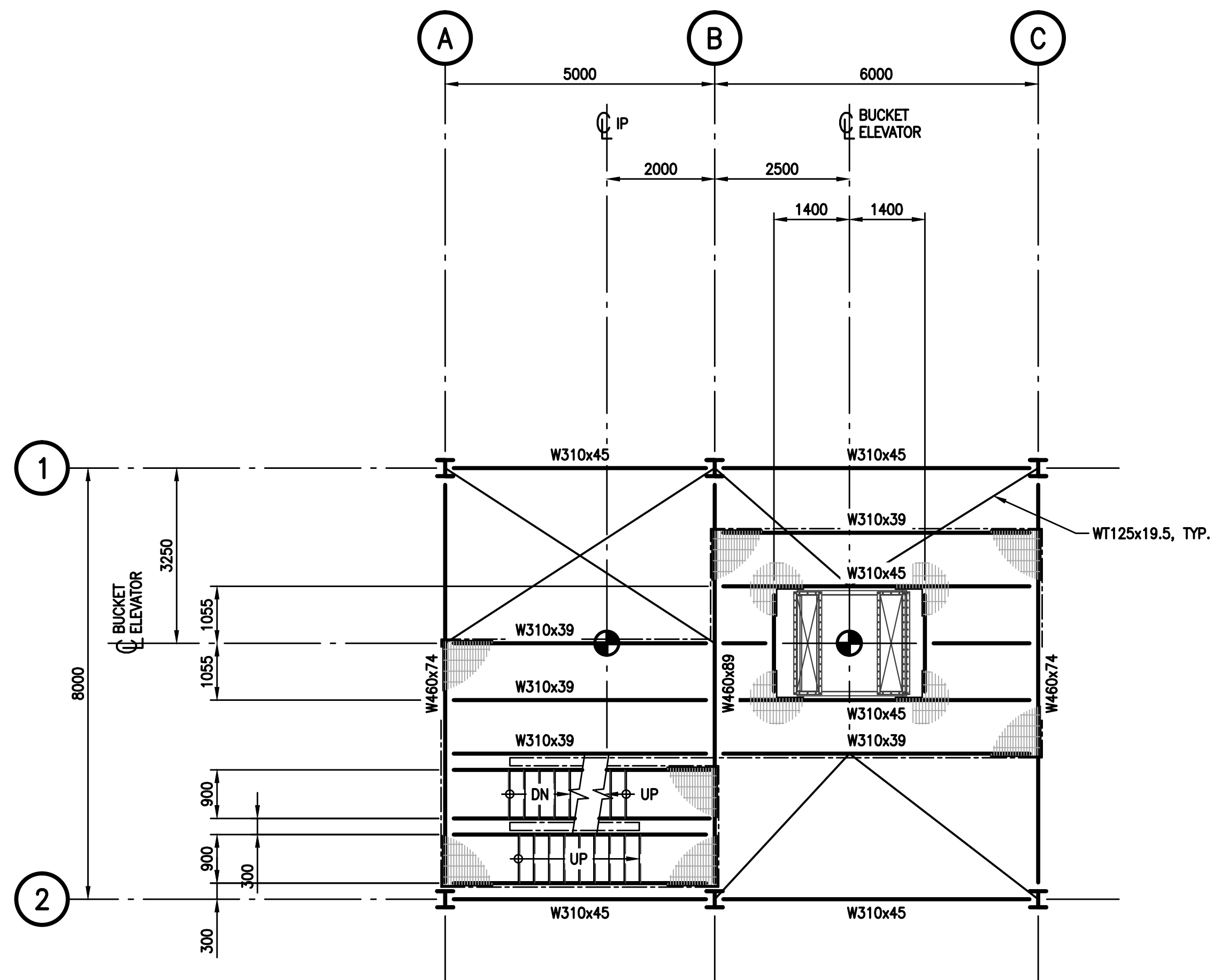
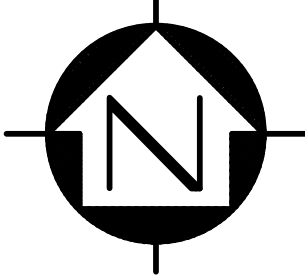
**CWA**  
www.cwaengineers.com

FIBRECO EXPORT INC.  
NORTH VANCOUVER, B.C.  
FIBRECO TERMINAL ENHANCEMENT PROJECT

STORAGE AREA  
TRANSFER TOWER 4  
PLANS - SHEET 1

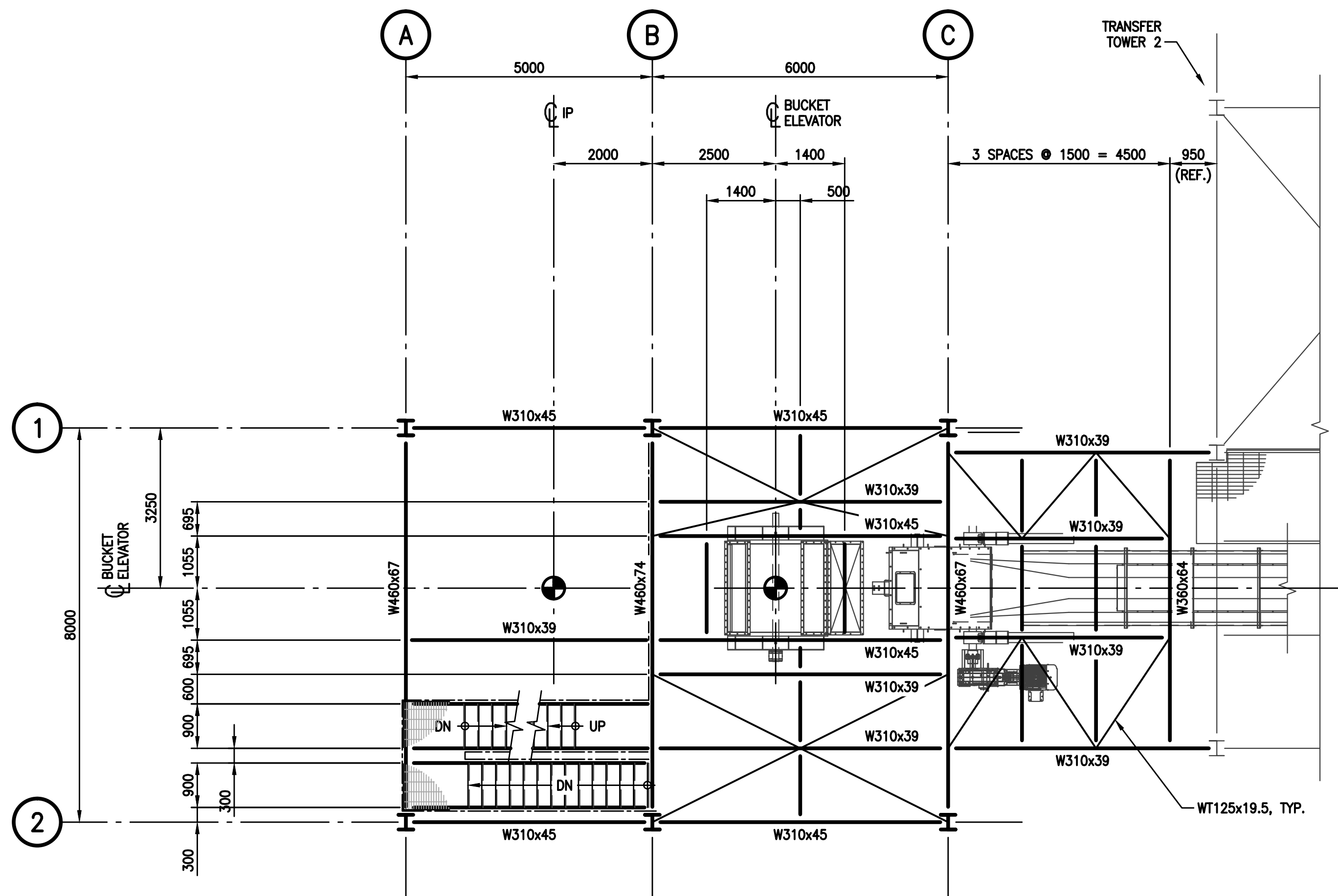
15006 300 ST 025 P1

PROJECT No. AREA DEPT. DWG. No. REV.



**PLAN - T.O. STEEL EL. 39.815m to EL. 15.815m (U.N.O.)**

1:75  
(NOTE: ALL MEMBERS TO BE W200x27 U.N.O.)



**PLAN - T.O. STEEL EL. 9.815m (U.N.O.)**

1:75  
(NOTE: ALL MEMBERS TO BE W200x27 U.N.O.)

**NOTES:**

1. FOR GENERAL NOTES SEE REF.1.

**PRELIMINARY  
NOT FOR CONSTRUCTION**

REF.	DWG. NUMBER	DESCRIPTION
1	15006-100-ST-001	GENERAL NOTES



FIBRECO EXPORT INC.  
1209 McKeen Ave.  
North Vancouver, B.C.  
V7P 3H9  
TEL: (604) 980-6543  
FAX: (604) 984-2593

No.	DATE	DESCRIPTION	DRAWN	DWG. CHECK	DESIGN	DESIGN CHECK	APPROVED
P1	2016-08-24	ISSUED FOR CLIENT REVIEW - CLADDING REMOVED	CPL	-	-	-	-



This drawing has been prepared by CWA Engineers Inc. as an instrument of service and is the exclusive property of CWA. This drawing shall be used solely for the purpose of this project. The client agrees that this drawing shall not be used for purposes other than those intended, and shall hold the engineer harmless for any other such use.

FIBRECO EXPORT INC.				
NORTH VANCOUVER, B.C.				
FIBRECO TERMINAL ENHANCEMENT PROJECT				
STORAGE AREA TRANSFER TOWER 4 PLANS - SHEET 2				
15006	300	ST	026	P1
PROJECT No.	AREA	DEPT.	DWG. No.	REV.

REFERENCE DRAWINGS / DESIGN STANDARDS

CLIENT PROJECT No:

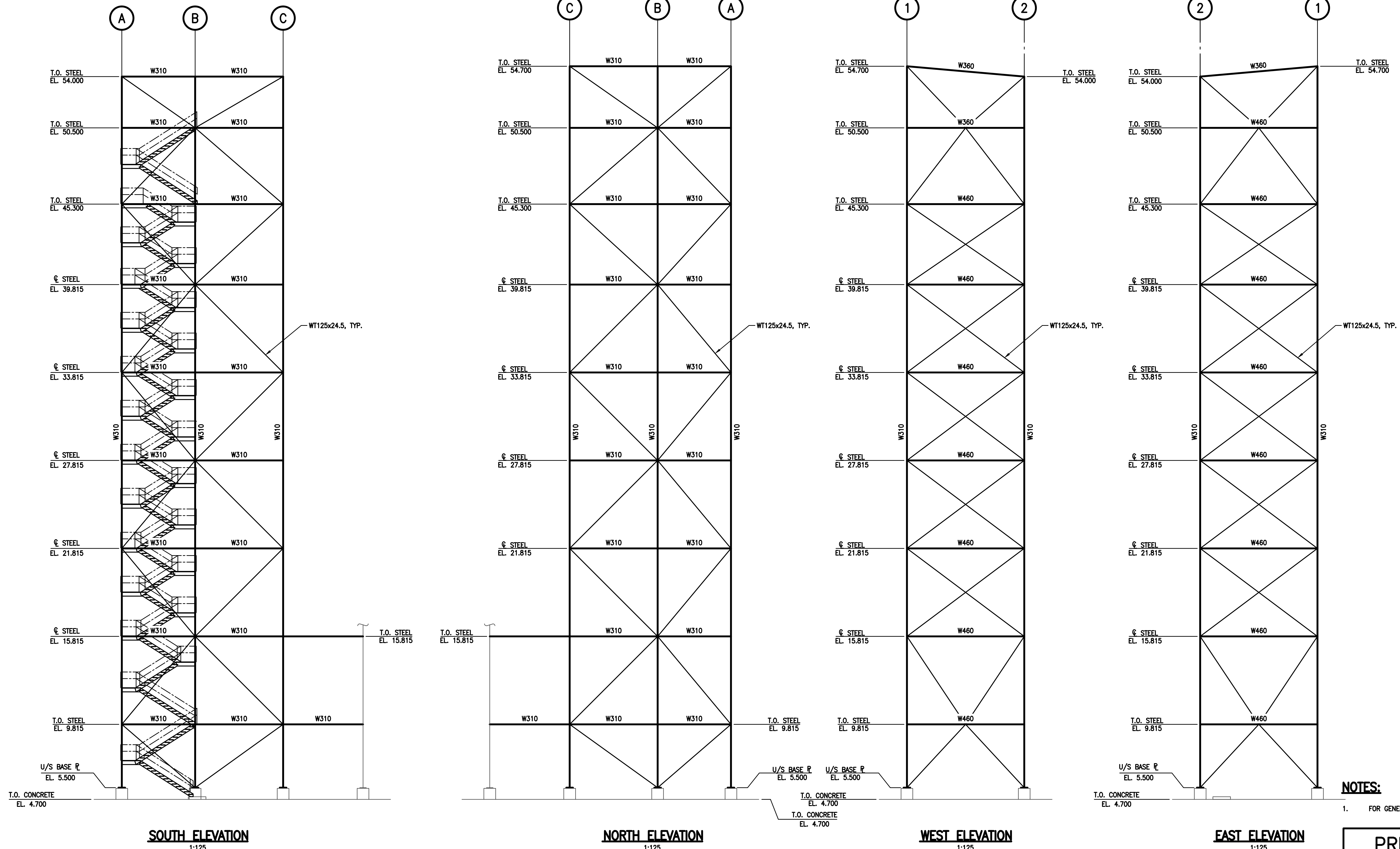
CWA ACAD FILE: 15006-300-ST-026\_P1.DWG

ISSUES / REVISIONS

\* HAND INITIALS ON FILE

DRAWN BY: CPL

SCALE: AS NOTED



**NOTES:**  
1. FOR GENERAL NOTES SEE REF.1.

**PRELIMINARY  
NOT FOR CONSTRUCTION**

REF.	DWG. NUMBER	DESCRIPTION
1	15006-100-ST-001	GENERAL NOTES

**FIBRECO**

FIBRECO EXPORT INC.  
1209 McKeen Ave.  
North Vancouver, B.C.  
V7P 3H9  
TEL: (604) 980-6543  
FAX: (604) 984-2593

CLIENT PROJECT No: CWA ACAD FILE: 15006-300-ST-027\_P1.DWG

No.	DATE	DESCRIPTION	DRAWN	DWG. CHECK	DESIGN	DESIGN CHECK	APPROVED
P1	2016-08-24	ISSUED FOR CLIENT REVIEW - CLADDING REMOVED	CPL	-	-	-	-

ISSUES / REVISIONS \* HAND INITIALS ON FILE

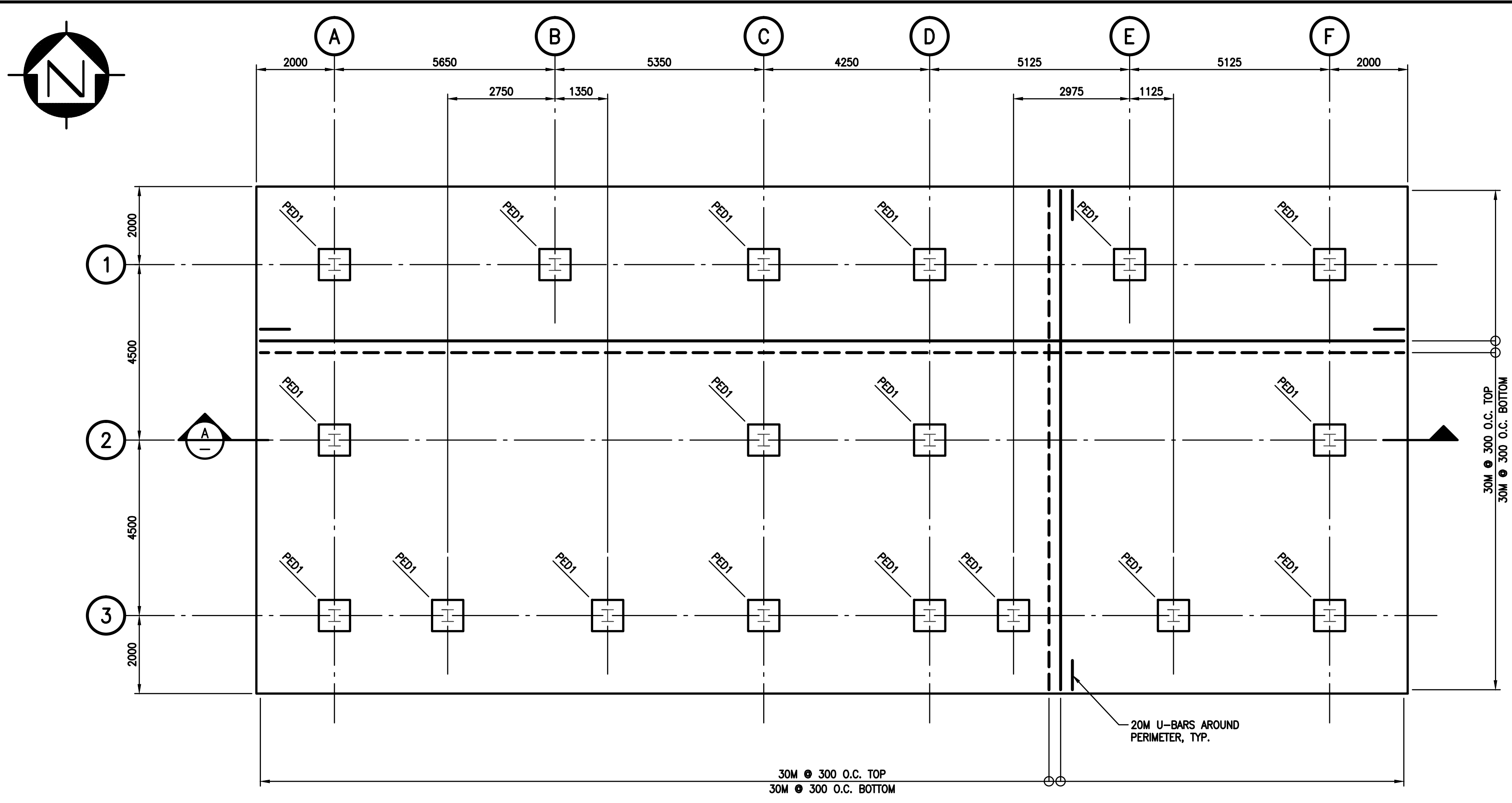
**CWA**  
www.cwaengineers.com

FIBRECO EXPORT INC.  
NORTH VANCOUVER, B.C.  
FIBRECO TERMINAL ENHANCEMENT PROJECT

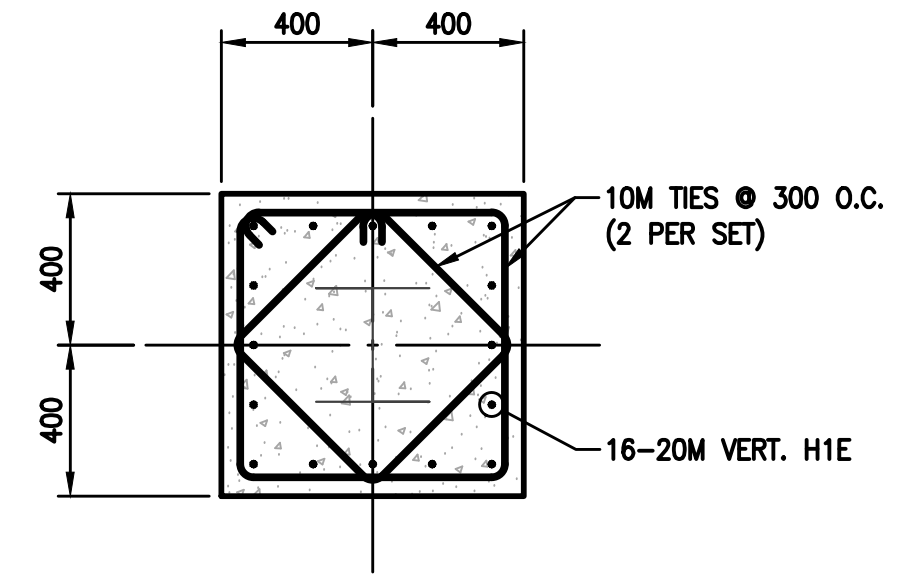
**STORAGE AREA  
TRANSFER TOWER 4  
ELEVATIONS**

15006 300 ST 027 P1

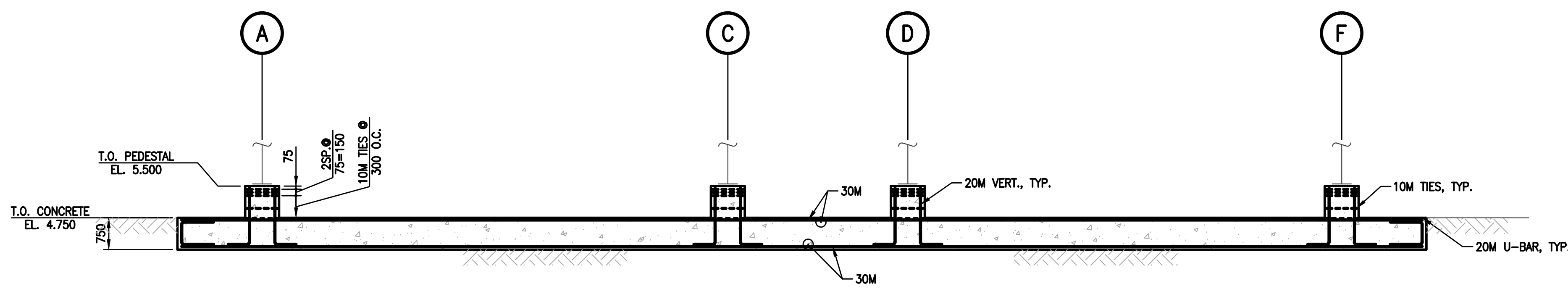
DRAWN BY: CPL SCALE: AS NOTED PROJECT No. AREA DEPT. DWG. No. REV.



**FOUNDATION PLAN**  
1:75



**PED1**  
1:20  
(18 REQUIRED)



**SECTION A**  
1:75

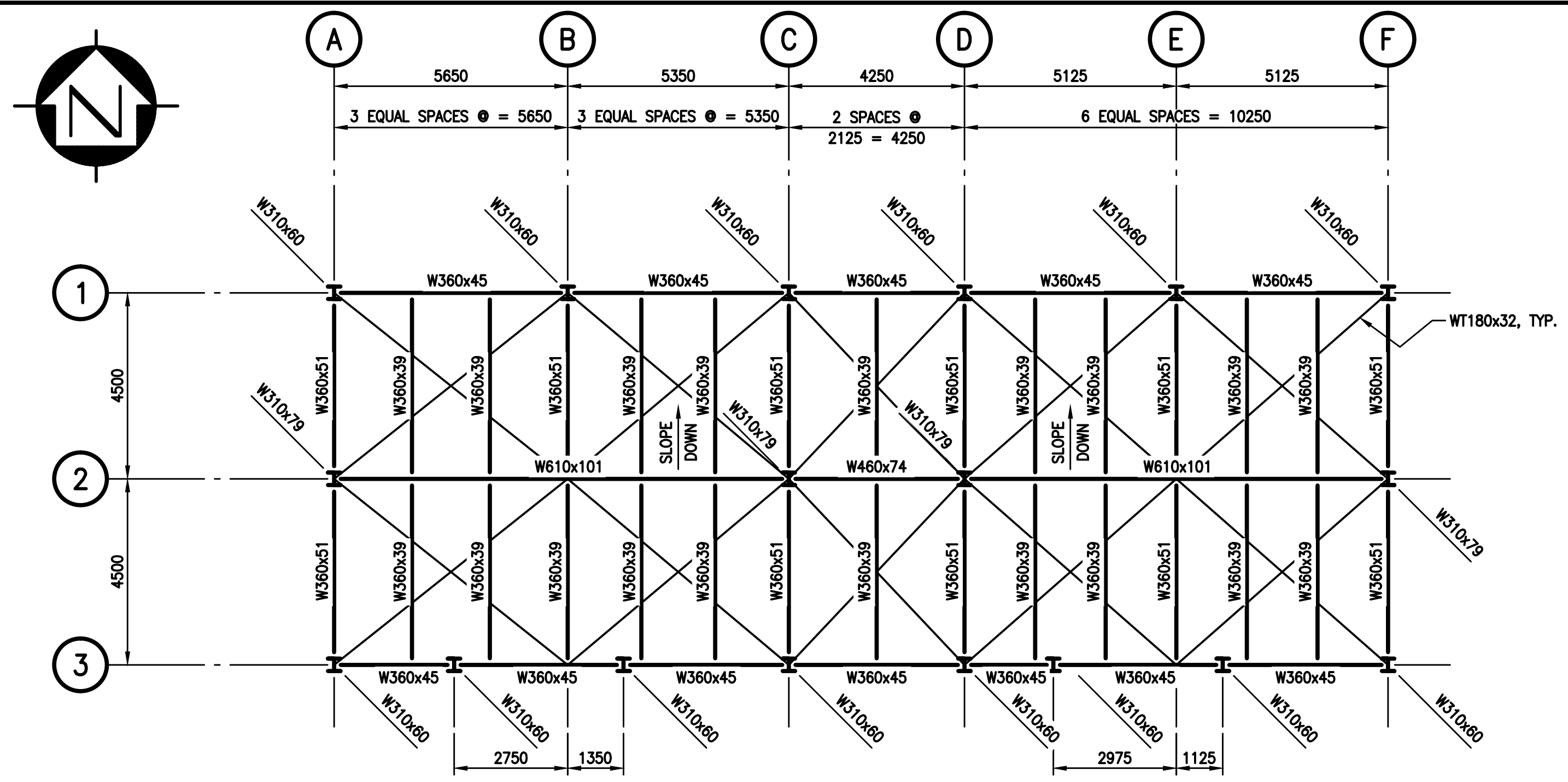
**NOTES:**  
1. FOR GENERAL NOTES SEE REF.1.

**PRELIMINARY  
NOT FOR CONSTRUCTION**

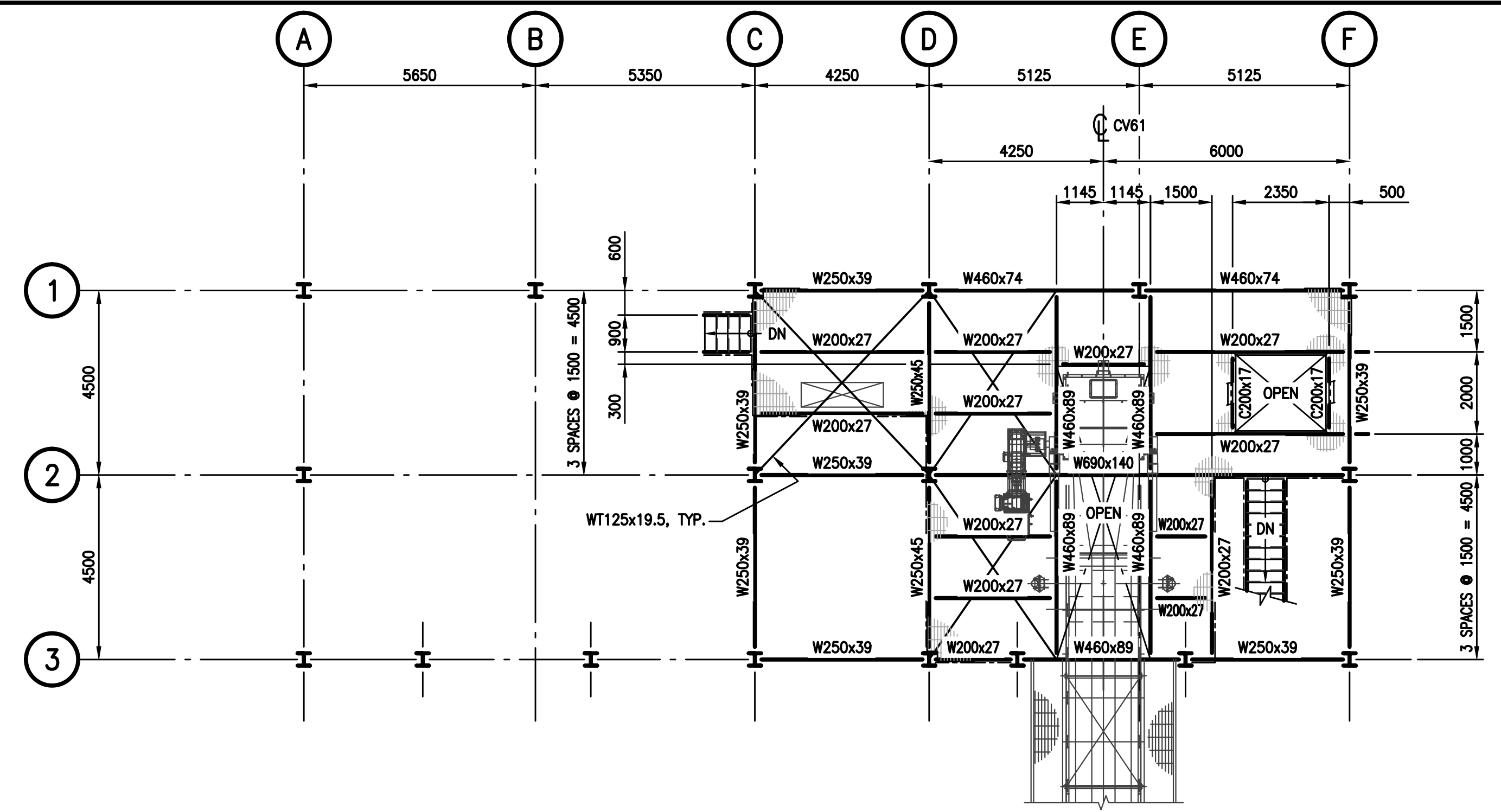
			FIBRECO EXPORT INC. 1209 McKeen Ave. North Vancouver, B.C. V7P 3H9 TEL: (604) 980-6543 FAX: (604) 984-2593			 www.cwaengineers.com			FIBRECO EXPORT INC. NORTH VANCOUVER, B.C. <b>FIBRECO TERMINAL ENHANCEMENT PROJECT</b> <b>STORAGE AREA TRANSFER TOWER 5 FOUNDATION PLAN</b>								
REF.	DWG. NUMBER	DESCRIPTION	No.	YYYY-MM-DD	DESCRIPTION	DRAWN	DWG. CHECK	DESIGN	DESIGN CHECK	APPROVED	PROJECT No.	AREA	DEPT.	DWG. No.	REV.		
1	15006-100-ST-001	GENERAL NOTES	P3	2016-08-24	ISSUED FOR CLIENT REVIEW - CONCRETE WALL REMOVED	CPL	-	-	-	-	15006	300	ST	060	P3		
			P2	2015-12-18	ISSUED FOR CLIENT REVIEW (INBOUND WEIGHING)	CPL	GYC	ADB	GYC	-							
			P1	2015-09-23	ISSUED FOR BUDGETARY PRICING	CPL	-	-	-	-							
REFERENCE DRAWINGS / DESIGN STANDARDS			CLIENT PROJECT No:			CWA ACAD FILE: 15006-300-ST-060_P3.DWG			ISSUES / REVISIONS			DRAWN BY: CPL			SCALE: AS NOTED		
									* HAND INITIALS ON FILE								

This drawing has been prepared by CWA Engineers Inc. as an instrument of service and is the exclusive property of CWA. This drawing shall be used solely for the purpose of this project. The client agrees that this drawing shall not be used for purposes other than those intended, and shall hold the engineer harmless for any other such use.

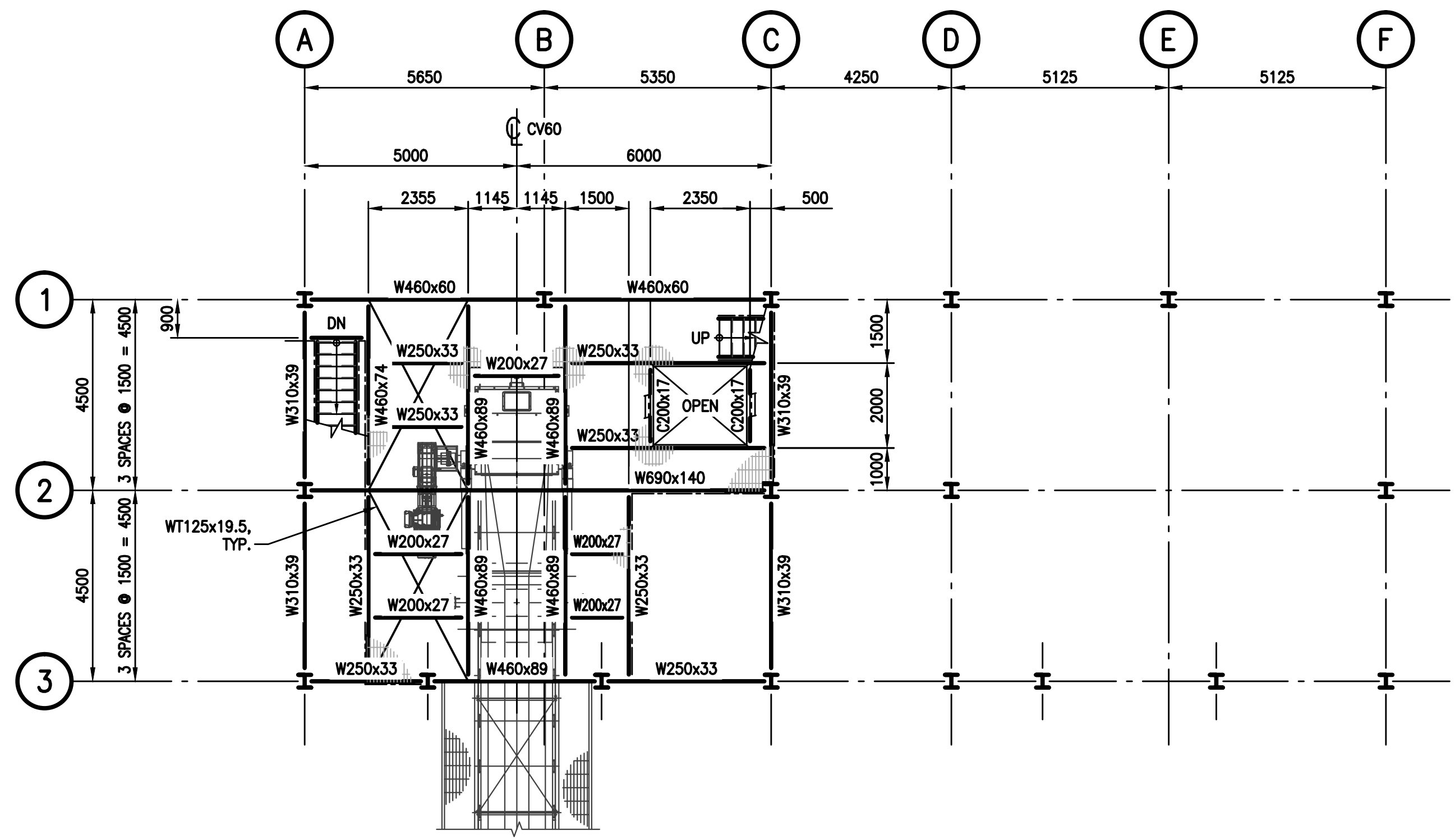




**ROOF PLAN**  
1:100





**PLAN - T.O. STEEL EL. 12.000m**  
1:100



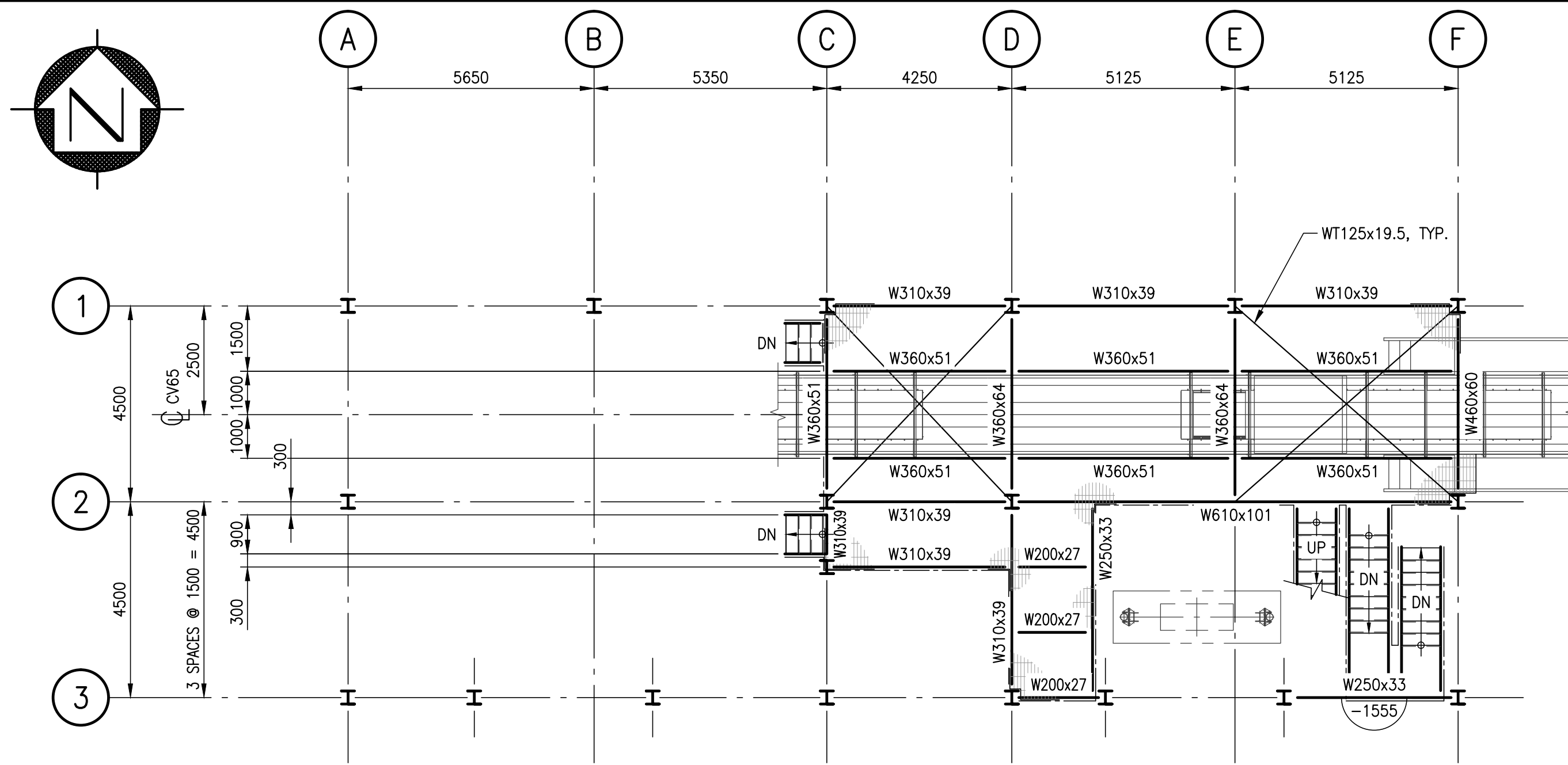
**PLAN - T.O. STEEL EL. 11.400m**  
1:100

**NOTES:**  
1. FOR GENERAL NOTES SEE REF.1.

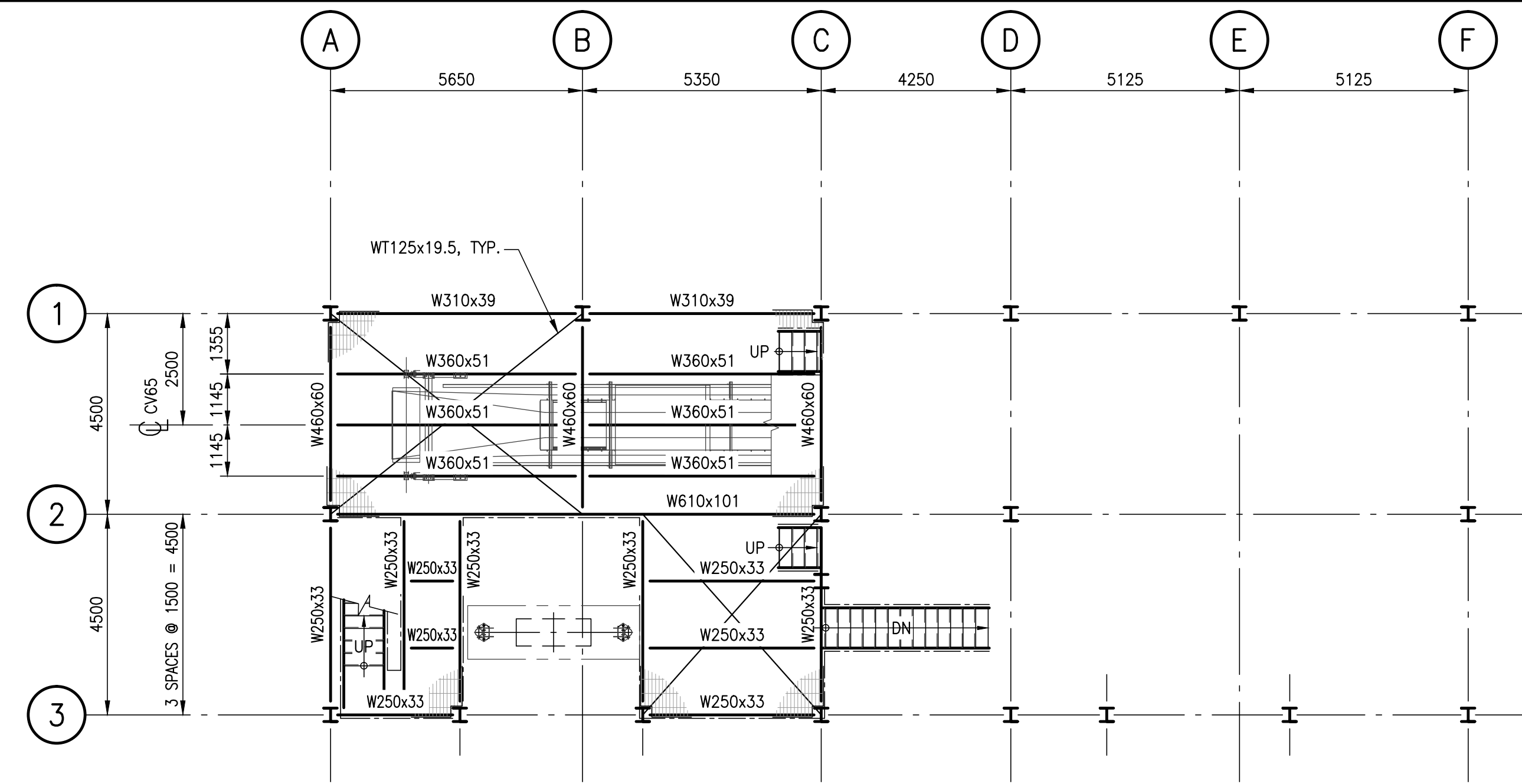
**PRELIMINARY  
NOT FOR CONSTRUCTION**

 <p>FIBRECO EXPORT INC. 1209 McKeen Ave. North Vancouver, B.C. V7P 3H9 TEL: (604) 980-6543 FAX: (604) 984-2593</p>			 <p>FIBRECO EXPORT INC. NORTH VANCOUVER, B.C. FIBRECO TERMINAL ENHANCEMENT PROJECT</p>								
<p>1 15006-100-ST-001 GENERAL NOTES</p>			<p>15006 300 ST 061 P3</p>								
REF.	DWG. NUMBER	DESCRIPTION	No.	YYYY-MM-DD	DESCRIPTION	DRAWN	DWG. CHECK	DESIGN	DESIGN CHECK	APPROVED	
			P3	2016-08-24	ISSUED FOR CLIENT REVIEW - CLADDING REMOVED	CPL	-	-	-	-	
			P2	2015-12-18	ISSUED FOR CLIENT REVIEW (INBOUND WEIGHING)	CPL	GYC	ADB	GYC	-	
			P1	2015-09-11	ISSUED FOR BUDGETARY PRICING	CPL	-	-	-	-	
REFERENCE DRAWINGS / DESIGN STANDARDS			CLIENT PROJECT No:			CWA ACAD FILE: 15006-300-ST-061_P3.DWG			ISSUES / REVISIONS * HAND INITIALS ON FILE		
			DRAWN BY: CPL			SCALE: AS NOTED			PROJECT No. AREA DEPT. DWG. No. REV.		

This drawing has been prepared by CWA Engineers Inc. as an instrument of service and is the exclusive property of CWA. This drawing shall be used solely for the purpose of this project. The client agrees that this drawing shall not be used for purposes other than those intended, and shall hold the engineer harmless for any other such use.



PLAN - T.O. STEEL EL. 8.000m  
1:100




PLAN - T.O. STEEL EL. 7.300m  
1:100

**NOTES:**

- FOR GENERAL NOTES SEE REF.1.


**PRELIMINARY  
NOT FOR CONSTRUCTION**

REF.	DWG. NUMBER	DESCRIPTION
1	15006-100-ST-001	GENERAL NOTES



FIBRECO EXPORT INC.  
1209 McKeen Ave.  
North Vancouver, B.C.  
V7P 3H9  
TEL: (604) 980-6543  
FAX: (604) 984-2593

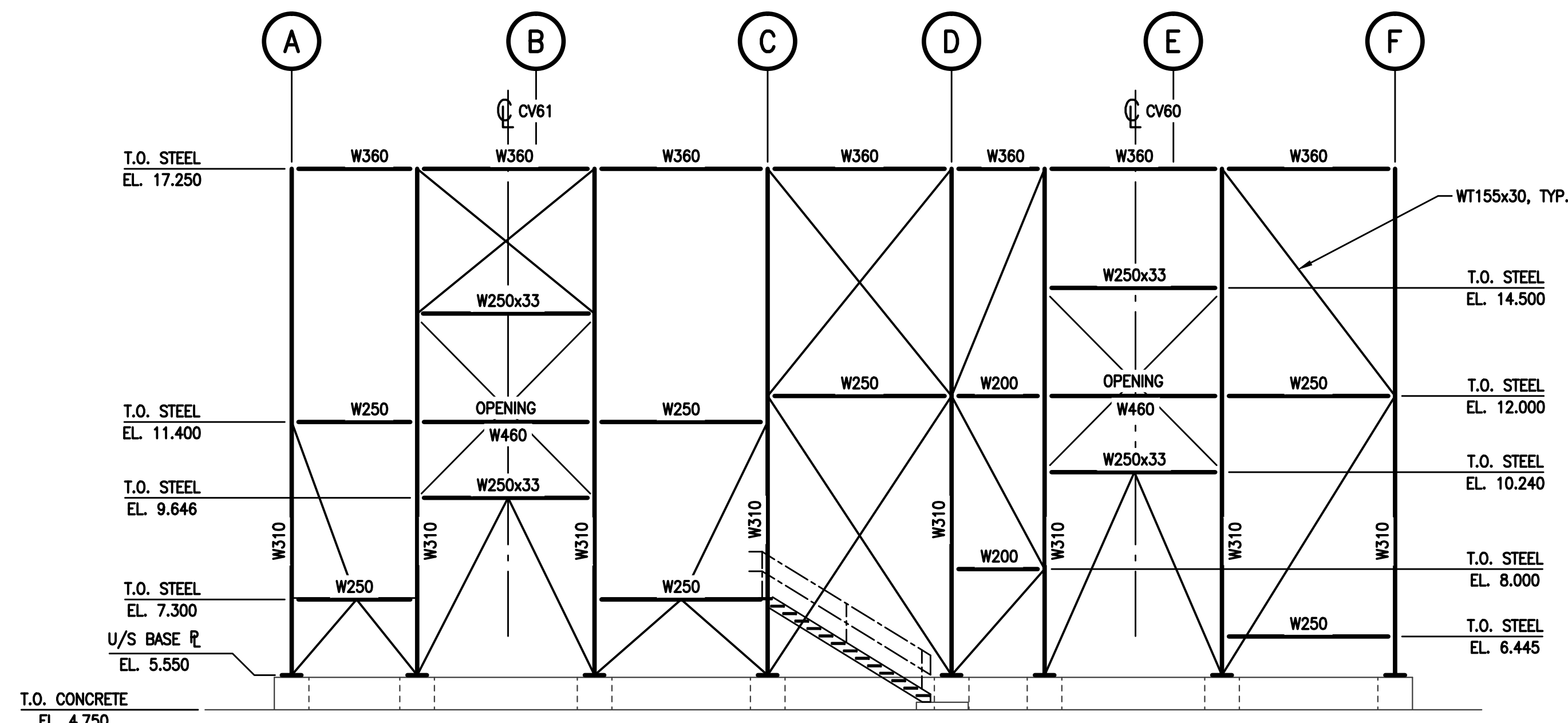
No.	DATE	DESCRIPTION	DRAWN	DWG. CHECK	DESIGN	DESIGN CHECK	APPROVED
P3	2016-08-24	ISSUED FOR CLIENT REVIEW - CLADDING REMOVED	CPL	-	-	-	-
P2	2015-12-18	ISSUED FOR CLIENT REVIEW (INBOUND WEIGHING)	CPL	GYC	ADB	GYC	-
P1	2015-09-11	ISSUED FOR BUDGETARY PRICING	CPL	-	-	-	-



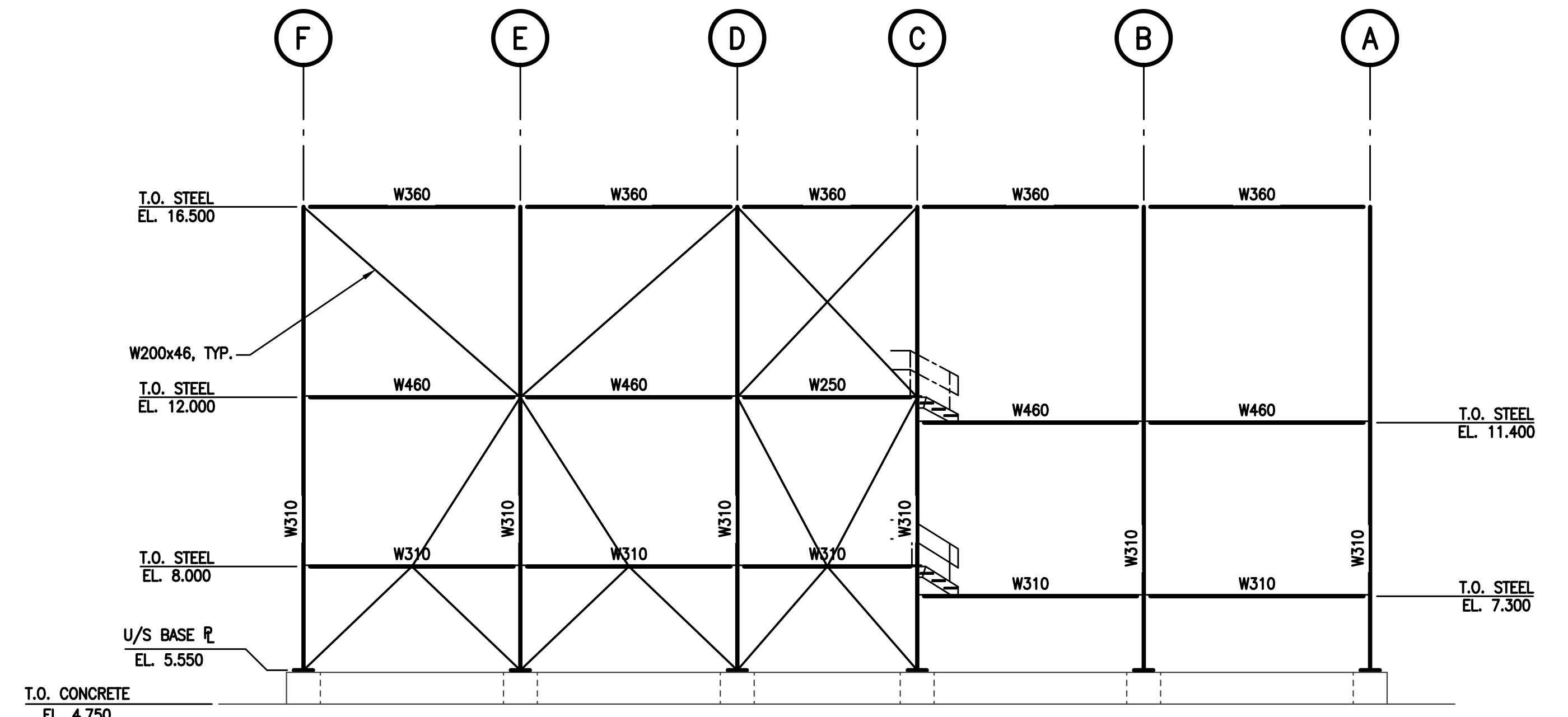
www.cwaengineers.com

This drawing has been prepared by CWA Engineers Inc. as an instrument of service and is the exclusive property of CWA. This drawing shall be used solely for the purpose of this project. The client agrees that this drawing shall not be used for purposes other than those intended, and shall hold the engineer harmless for any other such use.

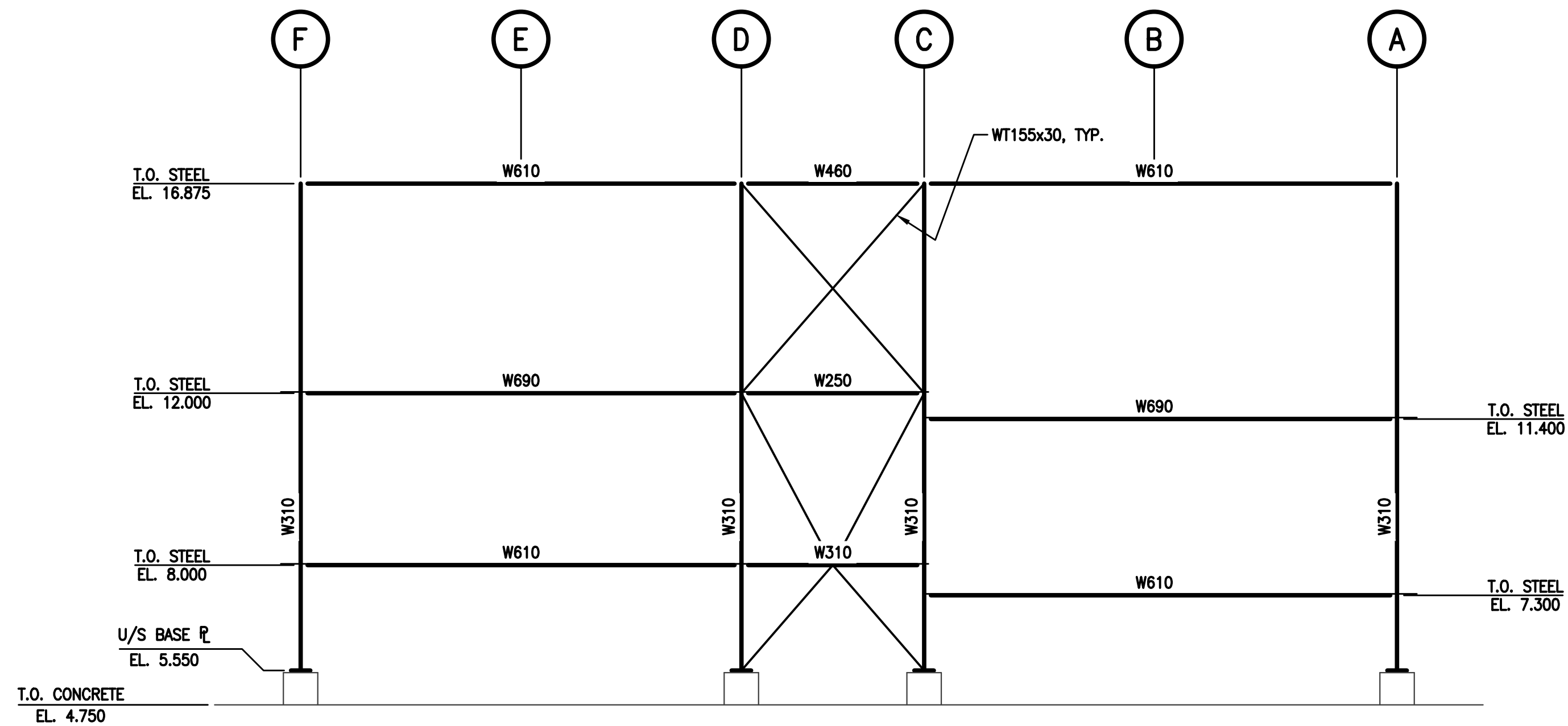
FIBRECO EXPORT INC.				
NORTH VANCOUVER, B.C.				
FIBRECO TERMINAL ENHANCEMENT PROJECT				
STORAGE AREA TRANSFER TOWER 5 PLANS - SHEET 2				
15006	300	ST	062	P3
PROJECT No.	AREA	DEPT.	DWG. No.	REV.



**SOUTH ELEVATION**  
1:100



**NORTH ELEVATION**  
1:100



**BAYLINE '2' ELEVATION**  
1:100

**NOTES:**

- 1. FOR GENERAL NOTES SEE REF.1.

**PRELIMINARY  
NOT FOR CONSTRUCTION**

REF.	DWG. NUMBER	DESCRIPTION
1	15006-100-ST-001	GENERAL NOTES



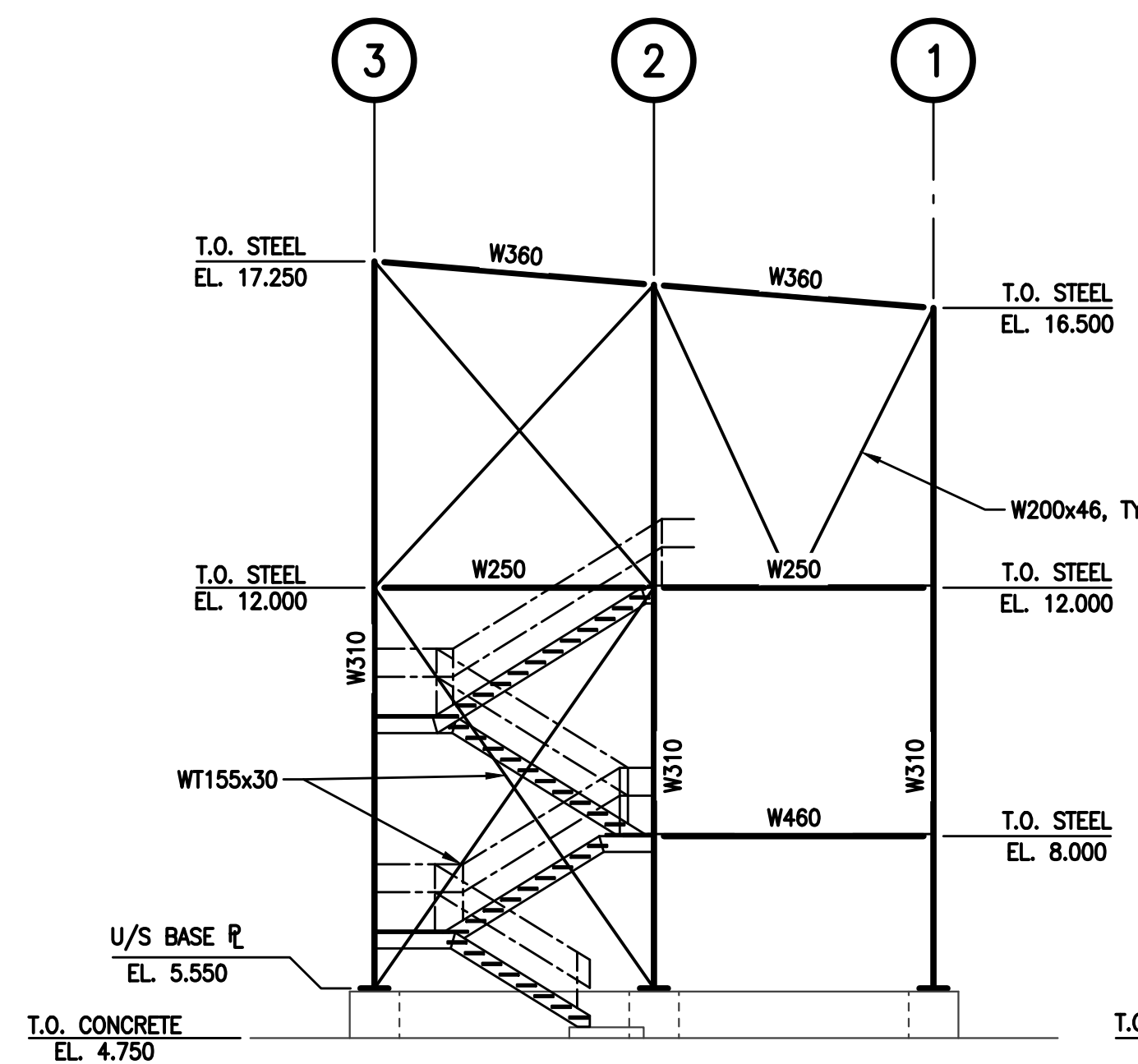
FIBRECO EXPORT INC.  
1209 McKeen Ave.  
North Vancouver, B.C.  
V7P 3H9  
TEL: (604) 980-6543  
FAX: (604) 984-2593

No.	DATE	DESCRIPTION	DRAWN	DWG. CHECK	DESIGN	DESIGN CHECK	APPROVED
P3	2016-08-24	ISSUED FOR CLIENT REVIEW - CLADDING REMOVED	CPL	-	-	-	-
P2	2015-12-18	ISSUED FOR CLIENT REVIEW (INBOUND WEIGHING)	CPL	GYC	ADB	GYC	-
P1	2015-09-11	ISSUED FOR BUDGETARY PRICING	CPL	-	-	-	-

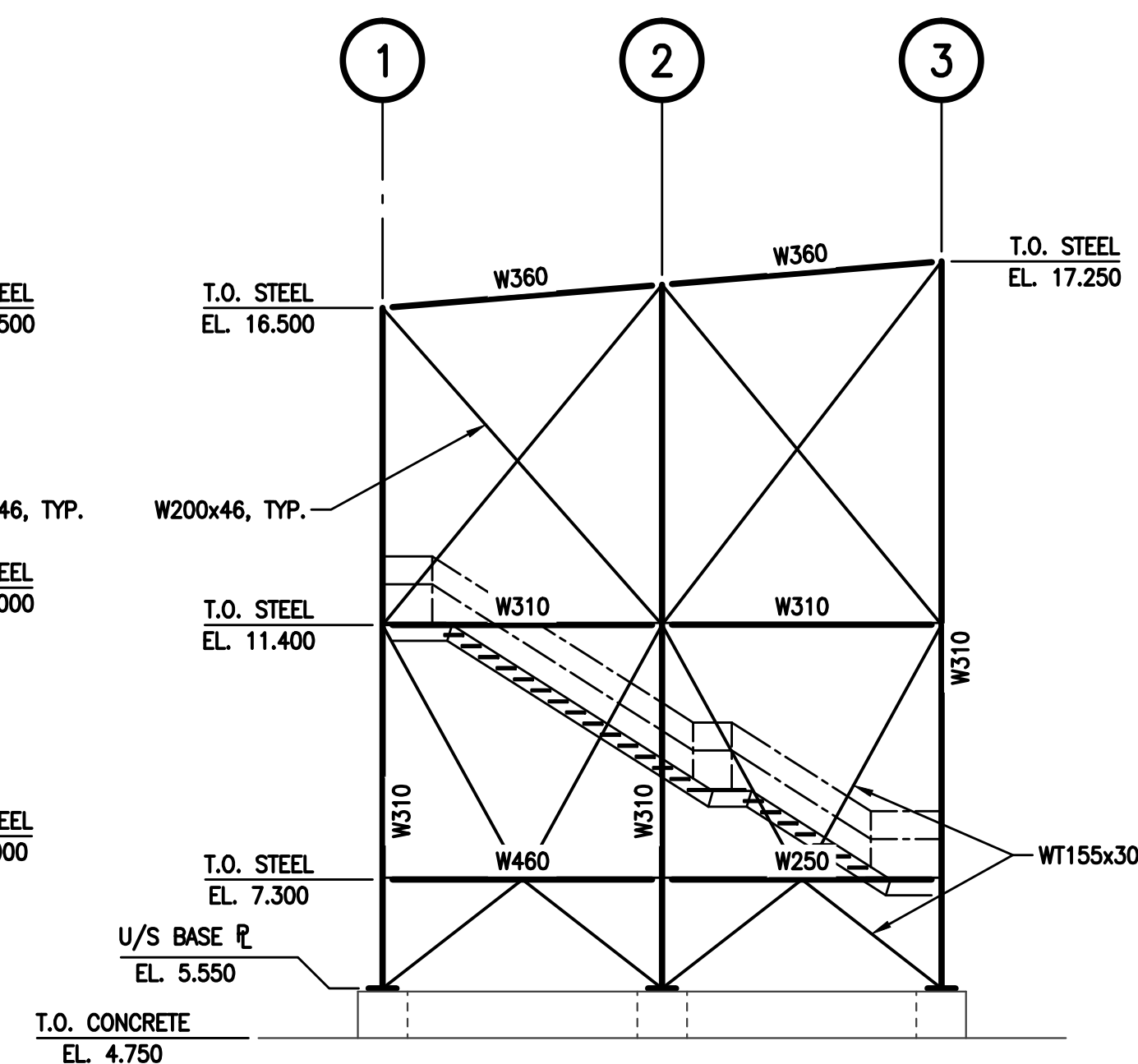


This drawing has been prepared by CWA Engineers Inc. as an instrument of service and is the exclusive property of CWA. This drawing shall be used solely for the purpose of this project. The client agrees that this drawing shall not be used for purposes other than those intended, and shall hold the engineer harmless for any other such use.

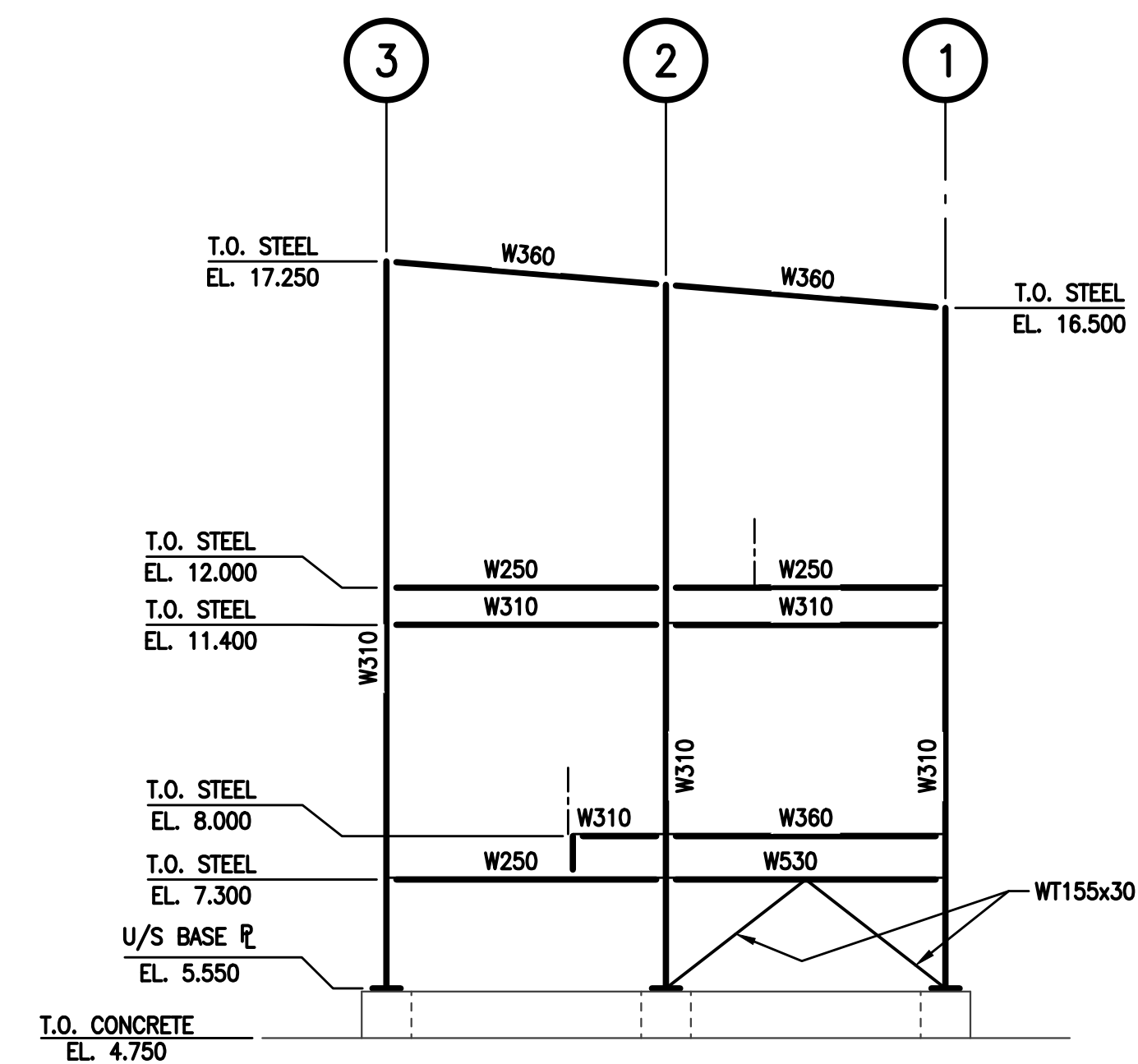
FIBRECO EXPORT INC.				
NORTH VANCOUVER, B.C.				
FIBRECO TERMINAL ENHANCEMENT PROJECT				
STORAGE AREA TRANSFER TOWER 5 ELEVATIONS - SHEET 1				
15006	300	ST	065	P3
PROJECT No.	AREA	DEPT.	DWG. No.	REV.



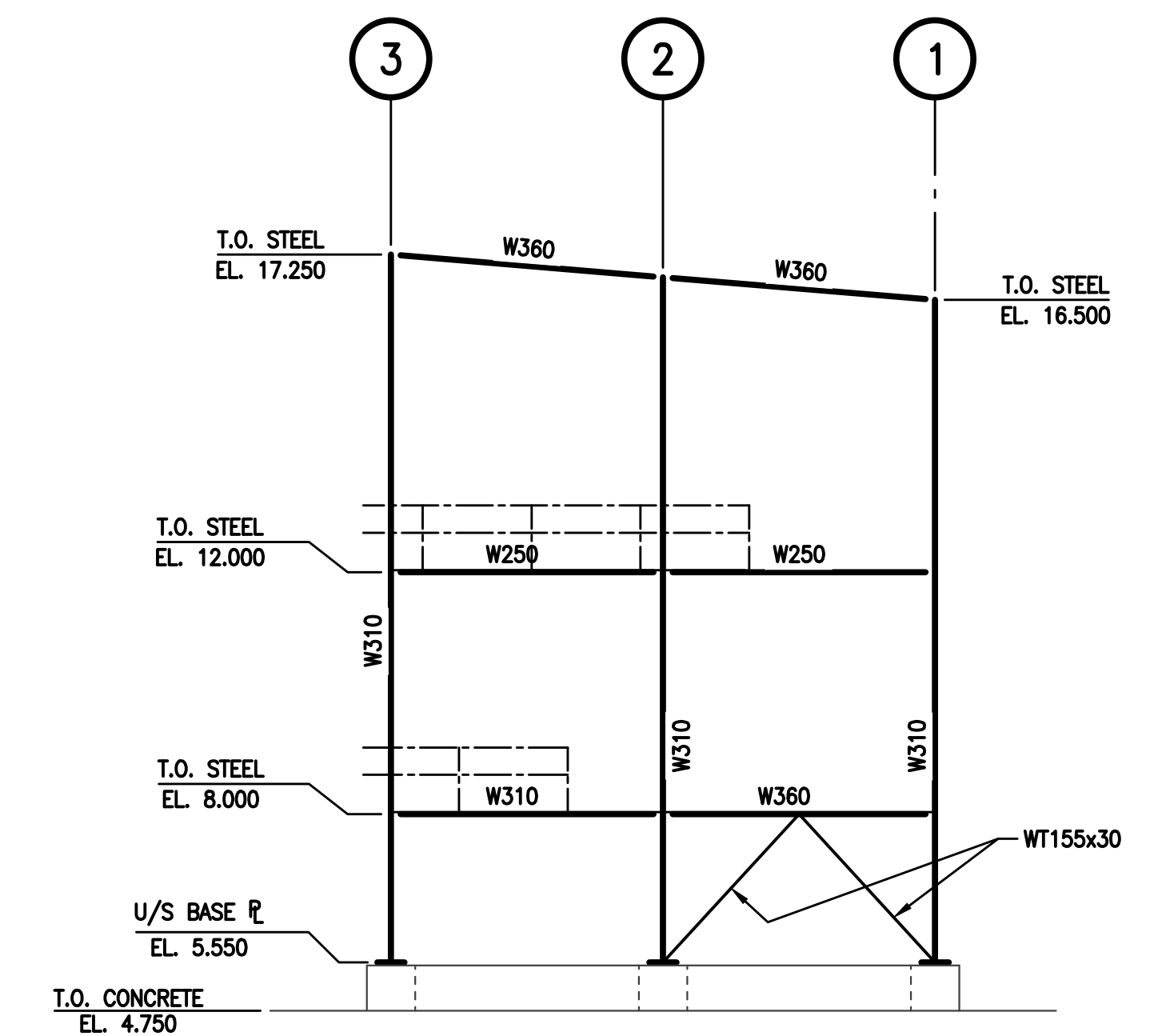
**EAST ELEVATION**  
1:100



**WEST ELEVATION**  
1:100



**BAYLINE 'C' ELEVATION**  
1:100




**BAYLINE 'D' ELEVATION**  
1:100

**NOTES:**

1. FOR GENERAL NOTES SEE REF.1.


**PRELIMINARY  
NOT FOR CONSTRUCTION**

REF.	DWG. NUMBER	DESCRIPTION
1	15006-100-ST-001	GENERAL NOTES



**FIBRECO**  
FIBRECO EXPORT INC.  
1209 McKeen Ave.  
North Vancouver, B.C.  
V7P 3H9  
TEL: (604) 980-6543  
FAX: (604) 984-2593

No.	DATE	DESCRIPTION	DRAWN	DWG. CHECK	DESIGN	DESIGN CHECK	APPROVED
P3	2016-08-24	ISSUED FOR CLIENT REVIEW - CLADDING REMOVED	CPL	-	-	-	-
P2	2015-12-18	ISSUED FOR CLIENT REVIEW (INBOUND WEIGHING)	CPL	GYC	ADB	GYC	-
P1	2015-09-11	ISSUED FOR BUDGETARY PRICING	CPL	-	-	-	-



**CWA**  
www.cwaengineers.com

FIBRECO EXPORT INC.  
NORTH VANCOUVER, B.C.  
FIBRECO TERMINAL ENHANCEMENT PROJECT

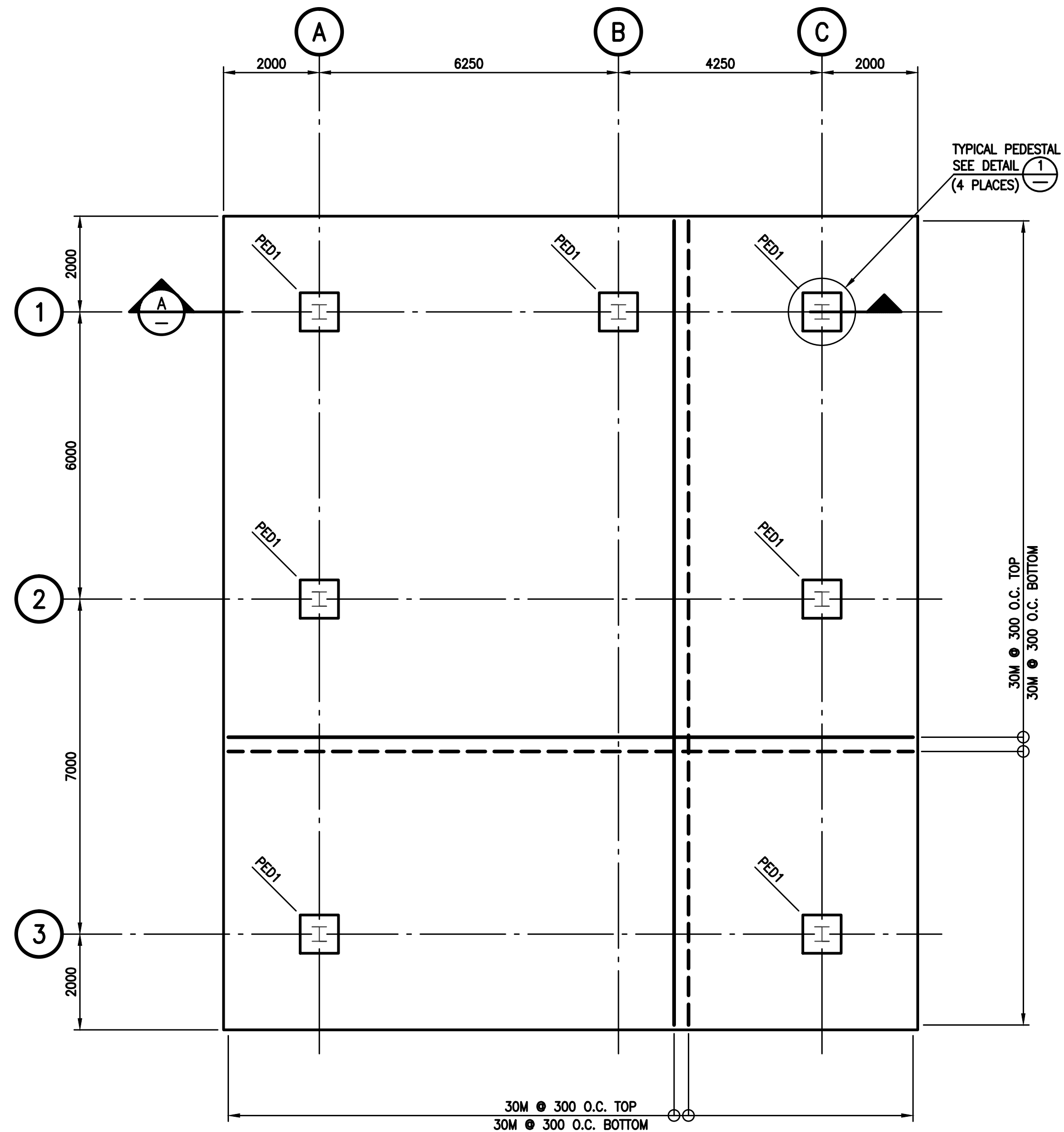
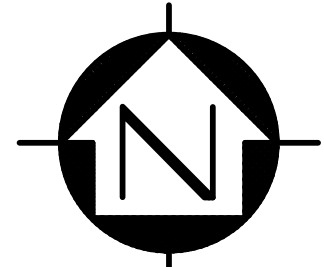
STORAGE AREA  
TRANSFER TOWER 5  
ELEVATIONS - SHEET 2

15006	300	ST	066	P3
-------	-----	----	-----	----

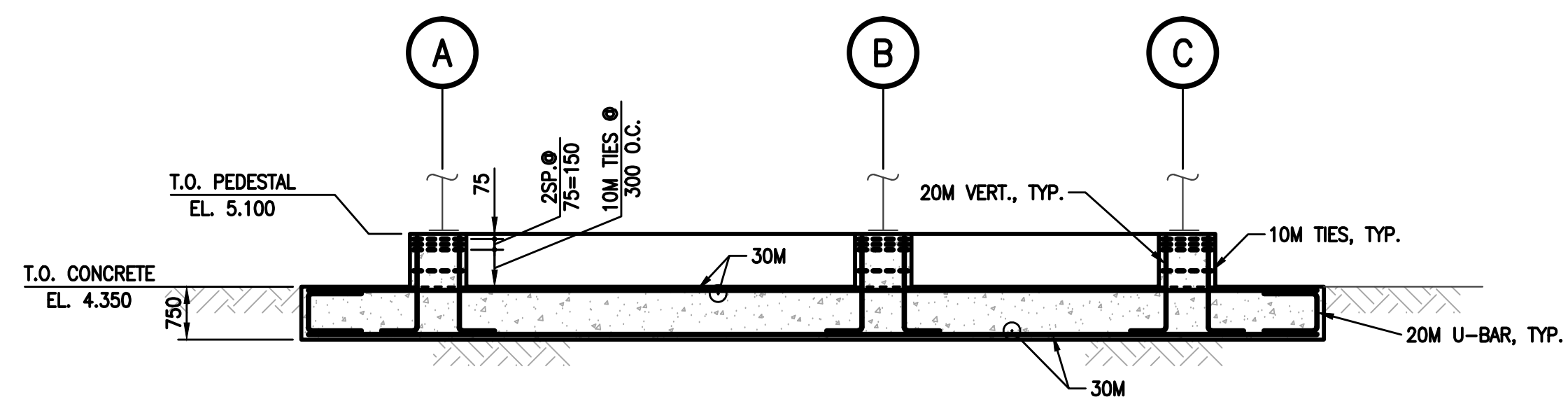
CLIENT PROJECT No: CWA ACAD FILE: 15006-300-ST-066\_P3.DWG

ISSUES / REVISIONS \* HAND INITIALS ON FILE

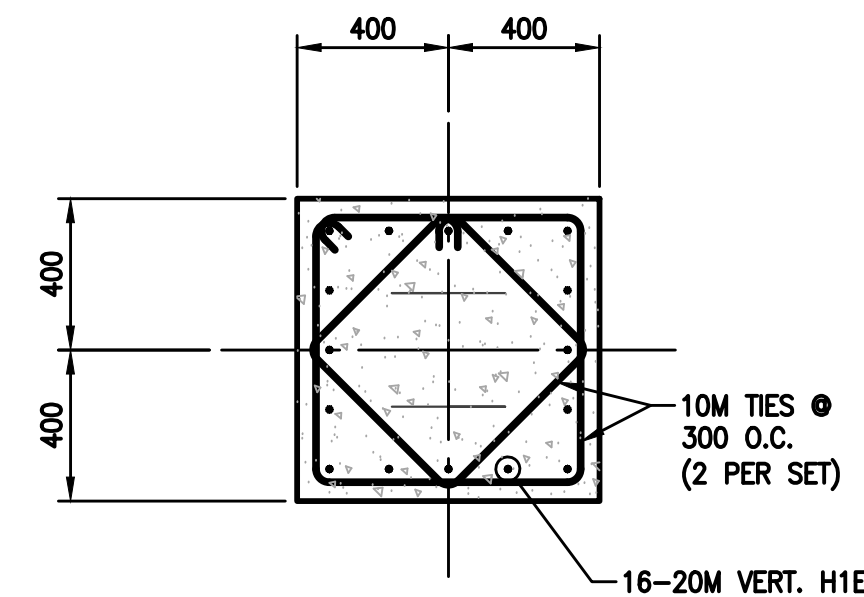
DRAWN BY: CPL SCALE: AS NOTED PROJECT No. AREA DEPT. DWG. No. REV.



**FOUNDATION PLAN**  
1:75



**SECTION A**  
1:75



**PED1**  
1:20  
(7 REQUIRED)

**NOTES:**

1. FOR GENERAL NOTES SEE REF.1.

**PRELIMINARY  
NOT FOR CONSTRUCTION**

REF.	DWG. NUMBER	DESCRIPTION
1	15006-100-ST-001	GENERAL NOTES



FIBRECO EXPORT INC.  
1209 McKeen Ave.  
North Vancouver, B.C.  
V7P 3H9  
TEL: (604) 980-6543  
FAX: (604) 984-2593

CLIENT PROJECT No: CWA ACAD FILE: 15006-400-ST-020\_P3.DWG

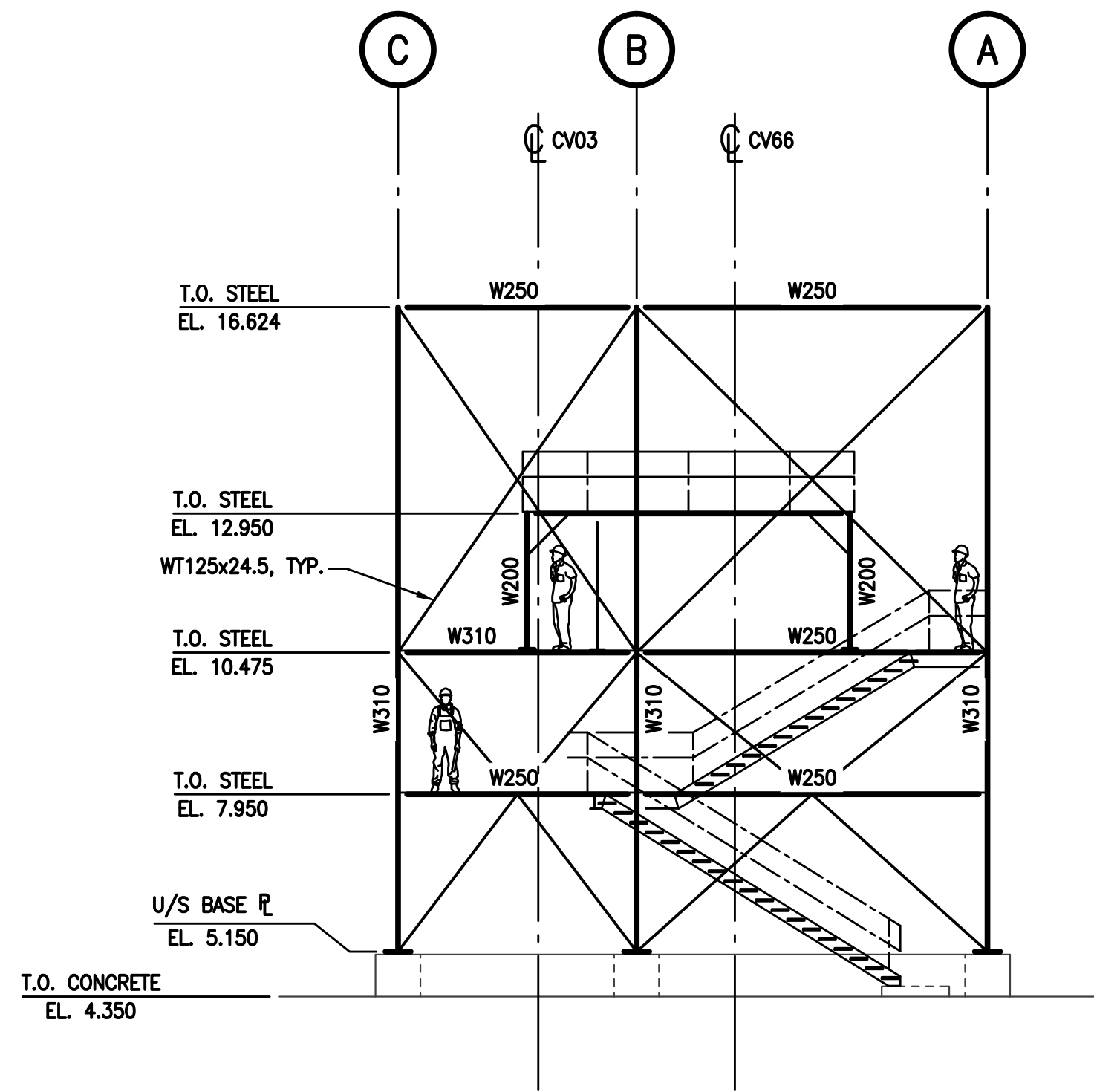
No.	YYYY-MM-DD	DESCRIPTION	DRAWN	DWG. CHECK	DESIGN	DESIGN CHECK	APPROVED
P3	2016-08-24	ISSUED FOR CLIENT REVIEW - CONCRETE WALL REMOVED	CPL	-	-	-	-
P2	2015-12-18	ISSUED FOR CLIENT REVIEW (INBOUND WEIGHING)	CPL	GYC	ADB	GYC	-
P1	2015-09-23	ISSUED FOR BUDGETARY PRICING	CPL	-	-	-	-



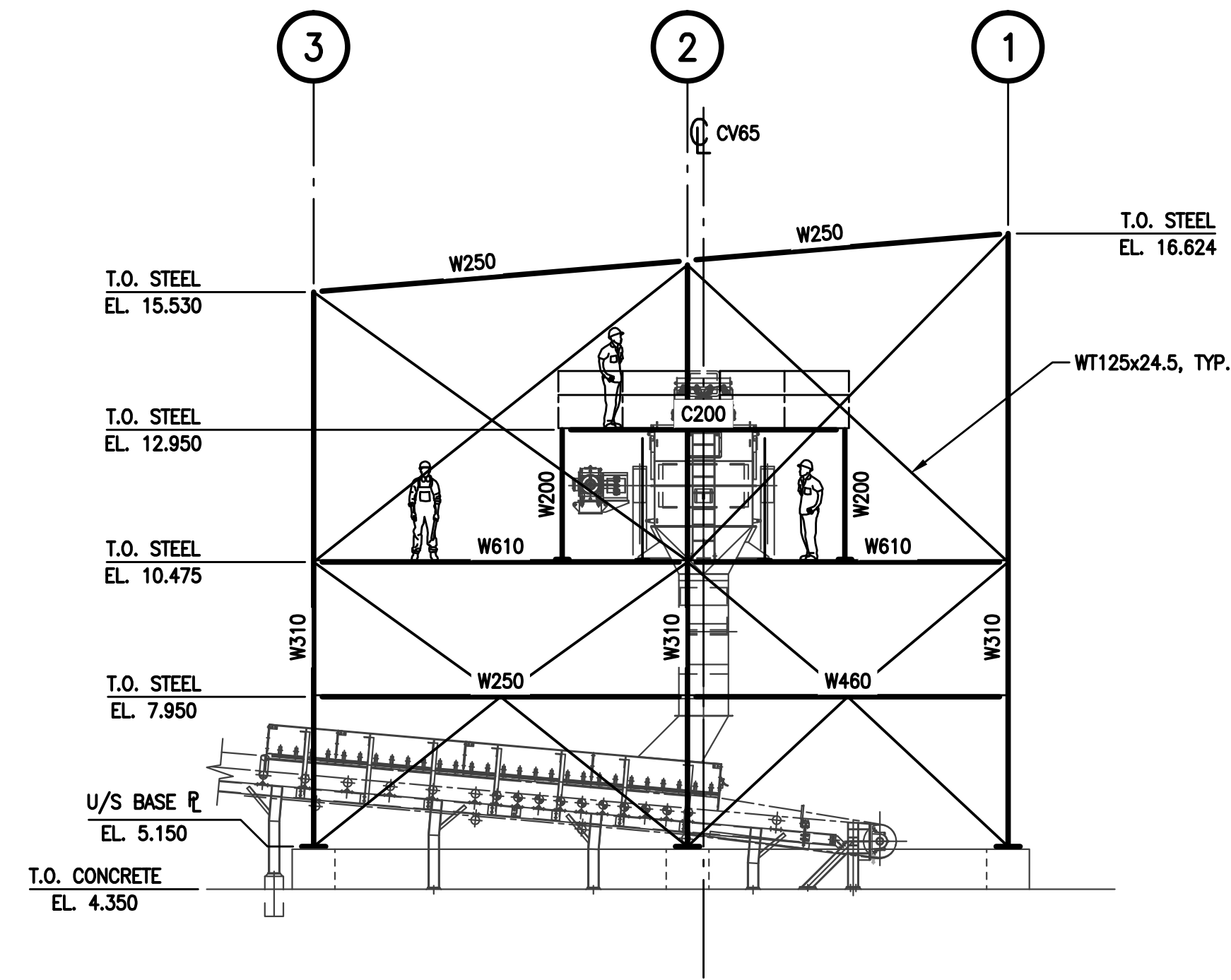
This drawing has been prepared by CWA Engineers Inc. as an instrument of service and is the exclusive property of CWA. This drawing shall be used solely for the purpose of this project. The client agrees that this drawing shall not be used for purposes other than those intended, and shall hold the engineer harmless for any other such use.

FIBRECO EXPORT INC. NORTH VANCOUVER, B.C.				
FIBRECO TERMINAL ENHANCEMENT PROJECT				
OUTBOUND AREA TRANSFER TOWER 6 FOUNDATION PLAN				
15006	400	ST	020	P3
DRAWN BY: CPL	SCALE: AS NOTED	PROJECT No.	AREA	DEPT.
		DWG. No.		REV.

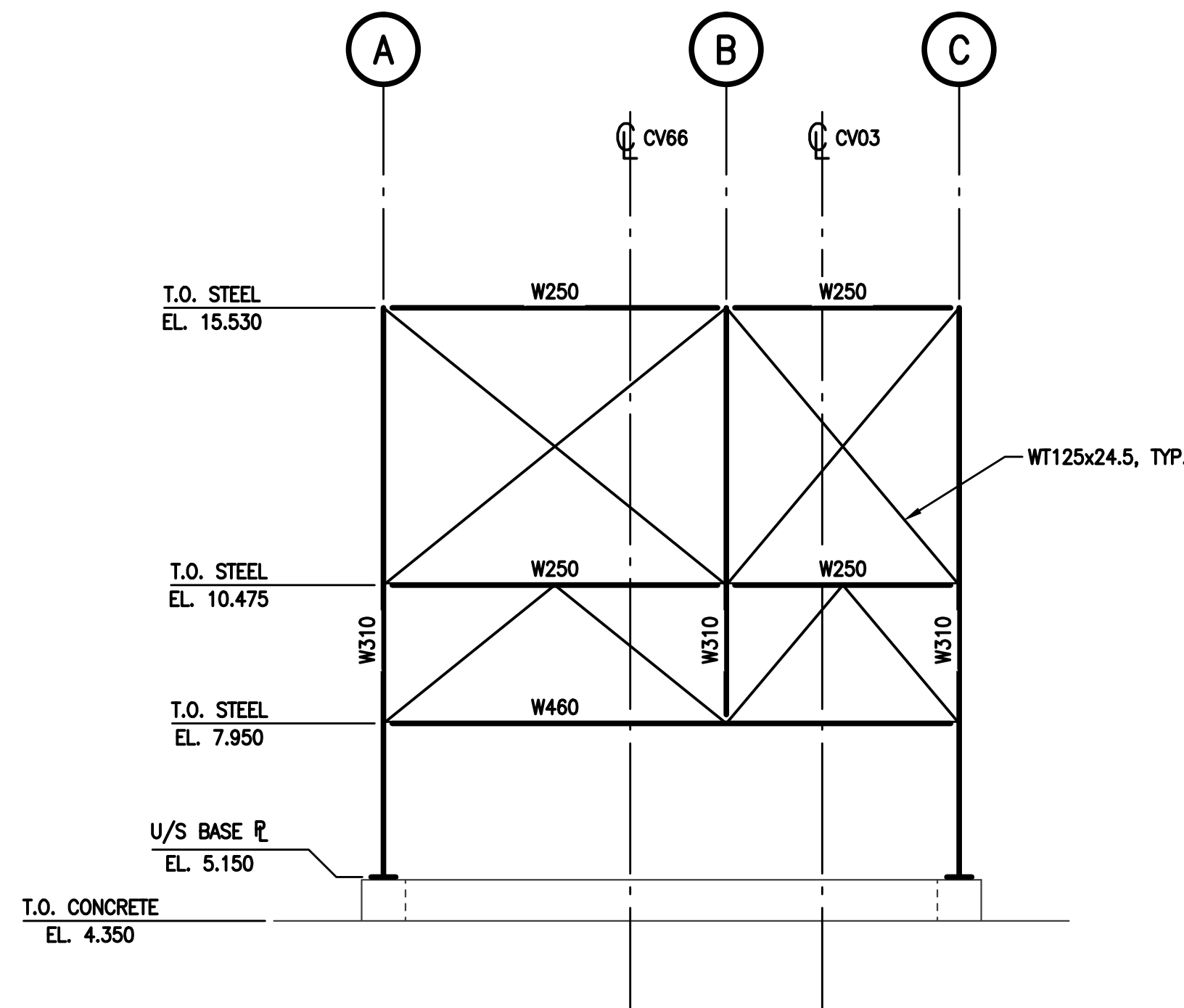




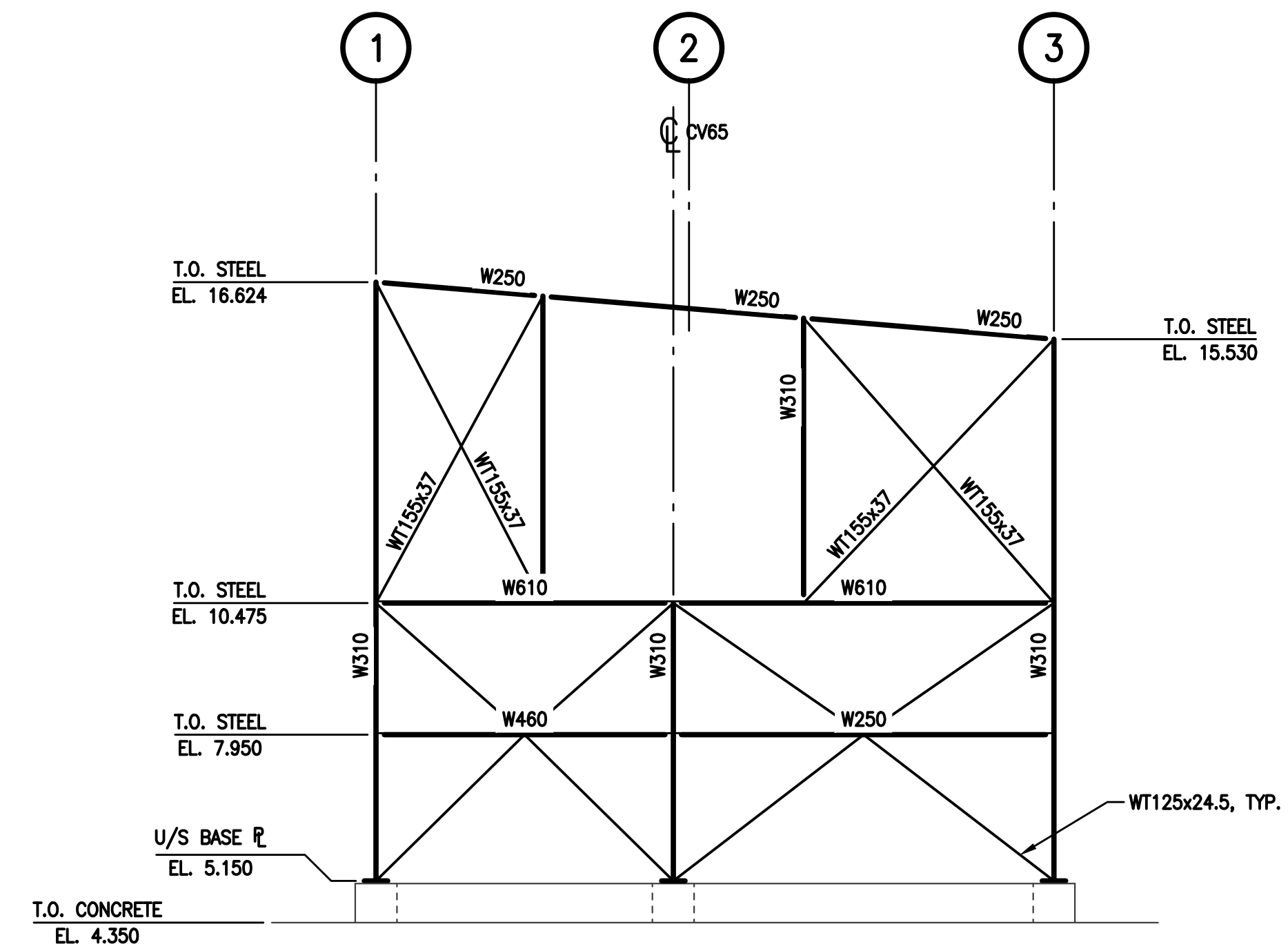
**NORTH ELEVATION**  
1:100



**EAST ELEVATION**  
1:100



**SOUTH ELEVATION**  
1:100



**WEST ELEVATION**  
1:100

**NOTES:**

1. FOR GENERAL NOTES SEE REF.1.

**PRELIMINARY  
NOT FOR CONSTRUCTION**

REF.	DWG. NUMBER	DESCRIPTION
1	15006-100-ST-001	GENERAL NOTES

**FIBRECO**

FIBRECO EXPORT INC.  
1209 McKeen Ave.  
North Vancouver, B.C.  
V7P 3H9  
TEL: (604) 980-6543  
FAX: (604) 984-2593

CLIENT PROJECT No: CWA ACAD FILE: 15006-400-ST-025\_P3.DWG

No.	DATE	DESCRIPTION	DRAWN	DWG. CHECK	DESIGN	DESIGN CHECK	APPROVED
P3	2016-08-24	ISSUED FOR CLIENT REVIEW - CLADDING REMOVED	CPL	-	-	-	-
P2	2015-12-18	ISSUED FOR CLIENT REVIEW (INBOUND WEIGHING)	CPL	GYC	ADB	GYC	-
P1	2015-09-11	ISSUED FOR BUDGETARY PRICING	CPL	-	-	-	-

ISSUES / REVISIONS \* HAND INITIALS ON FILE

**CWA**  
www.cwaengineers.com

This drawing has been prepared by CWA Engineers Inc. as an instrument of service and is the exclusive property of CWA. This drawing shall be used solely for the purpose of this project. The client agrees that this drawing shall not be used for purposes other than those intended, and shall hold the engineer harmless for any other such use.

FIBRECO EXPORT INC.  
NORTH VANCOUVER, B.C.  
FIBRECO TERMINAL ENHANCEMENT PROJECT

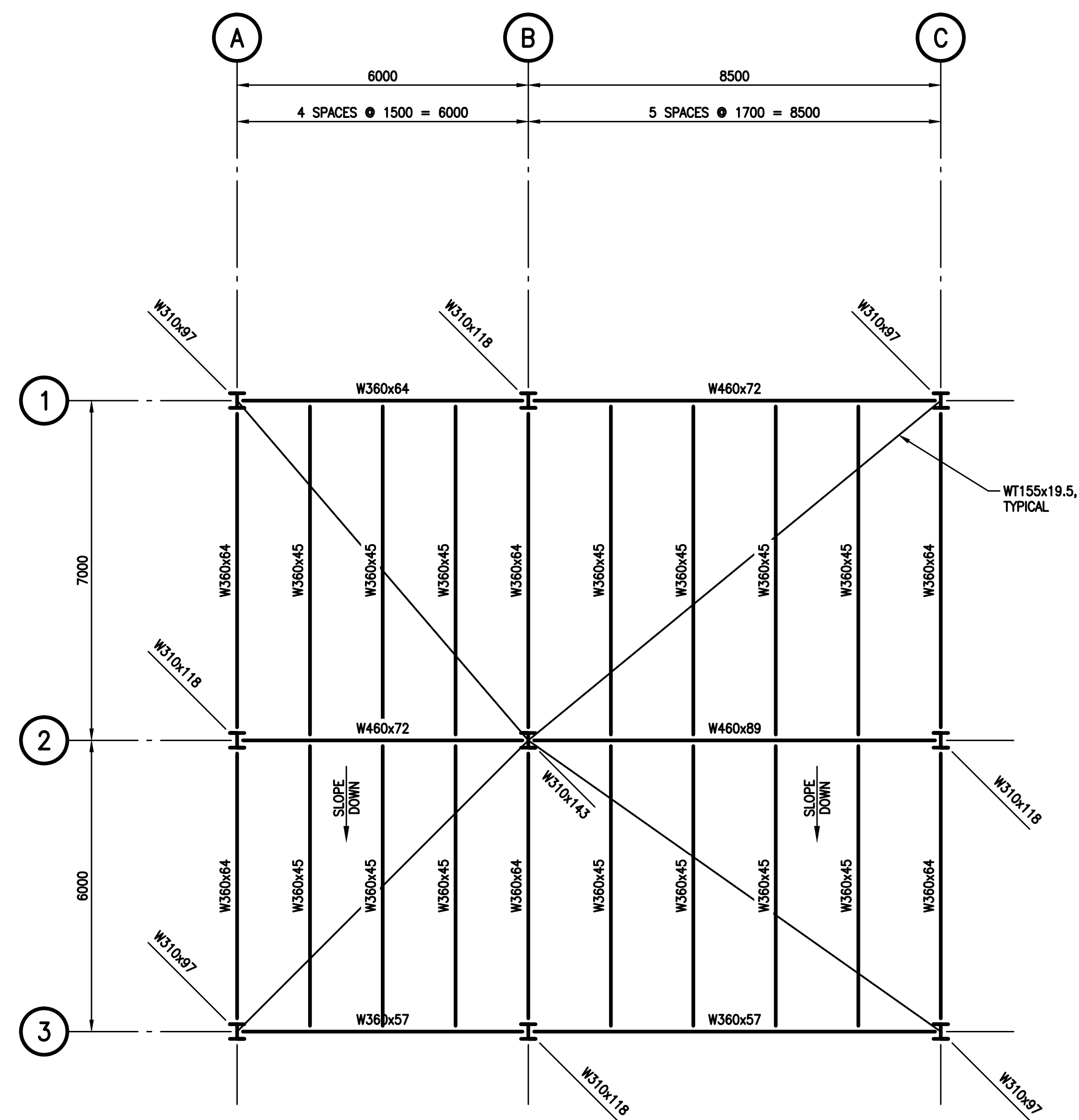
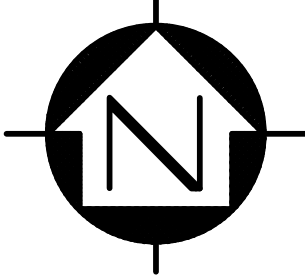
**OUTBOUND AREA  
TRANSFER TOWER 6  
ELEVATIONS**

15006 400 ST 025 P3

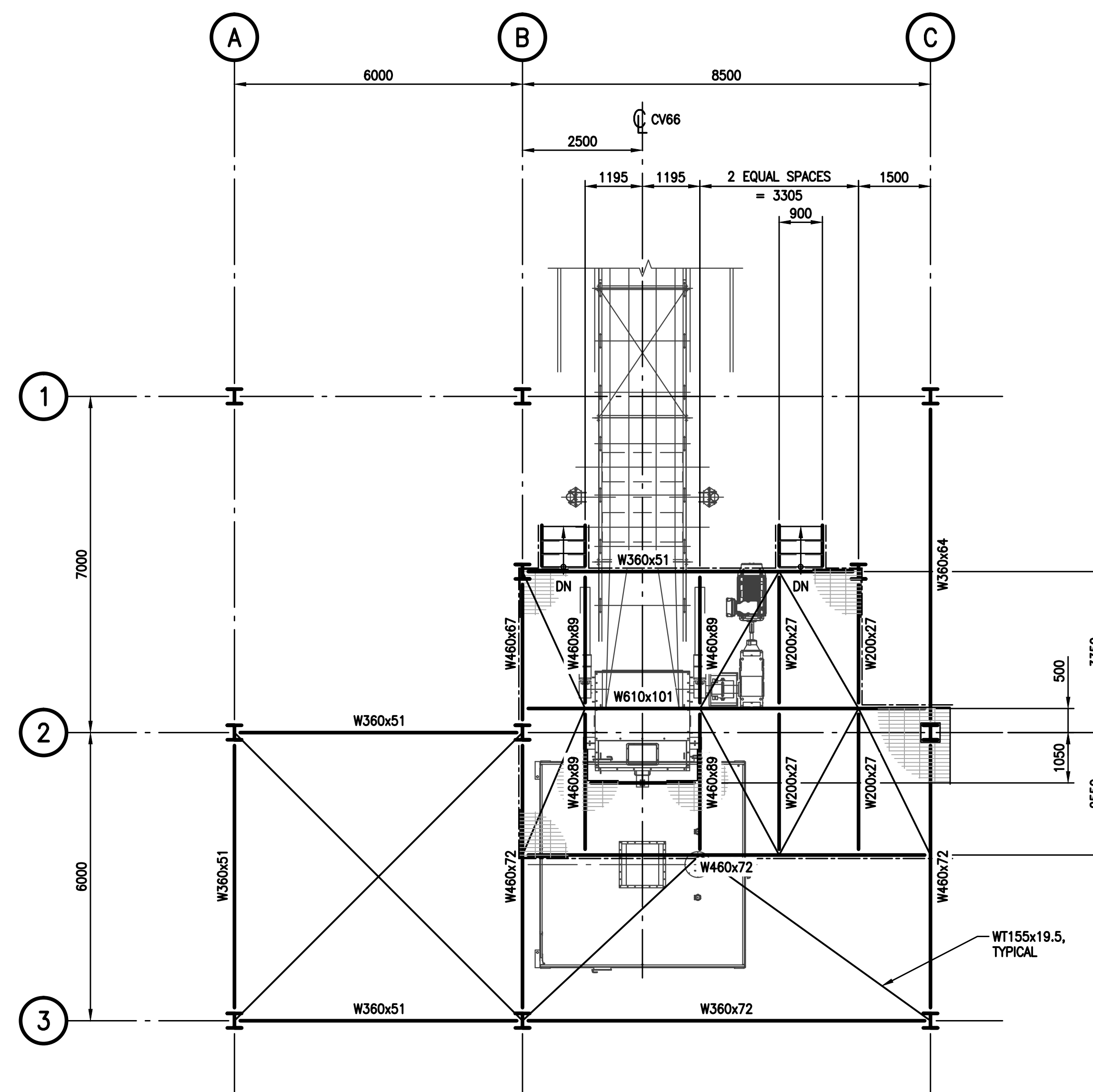
DRAWN BY: CPL SCALE: AS NOTED PROJECT No. AREA DEPT. DWG. No. REV.







**ROOF PLAN**  
1:75



**PLAN - T.O. STEEL FL. 30.500m (U.N.O.)**  
1:75

**NOTES:**

- FOR GENERAL NOTES SEE REF.1.

**PRELIMINARY  
NOT FOR CONSTRUCTION**

REF.	DWG. NUMBER	DESCRIPTION
1	15006-100-ST-001	GENERAL NOTES

**FIBRECO EXPORT INC.**  
 1209 McKeen Ave.  
 North Vancouver, B.C.  
 V7P 3H9  
 TEL: (604) 980-6543  
 FAX: (604) 984-2593

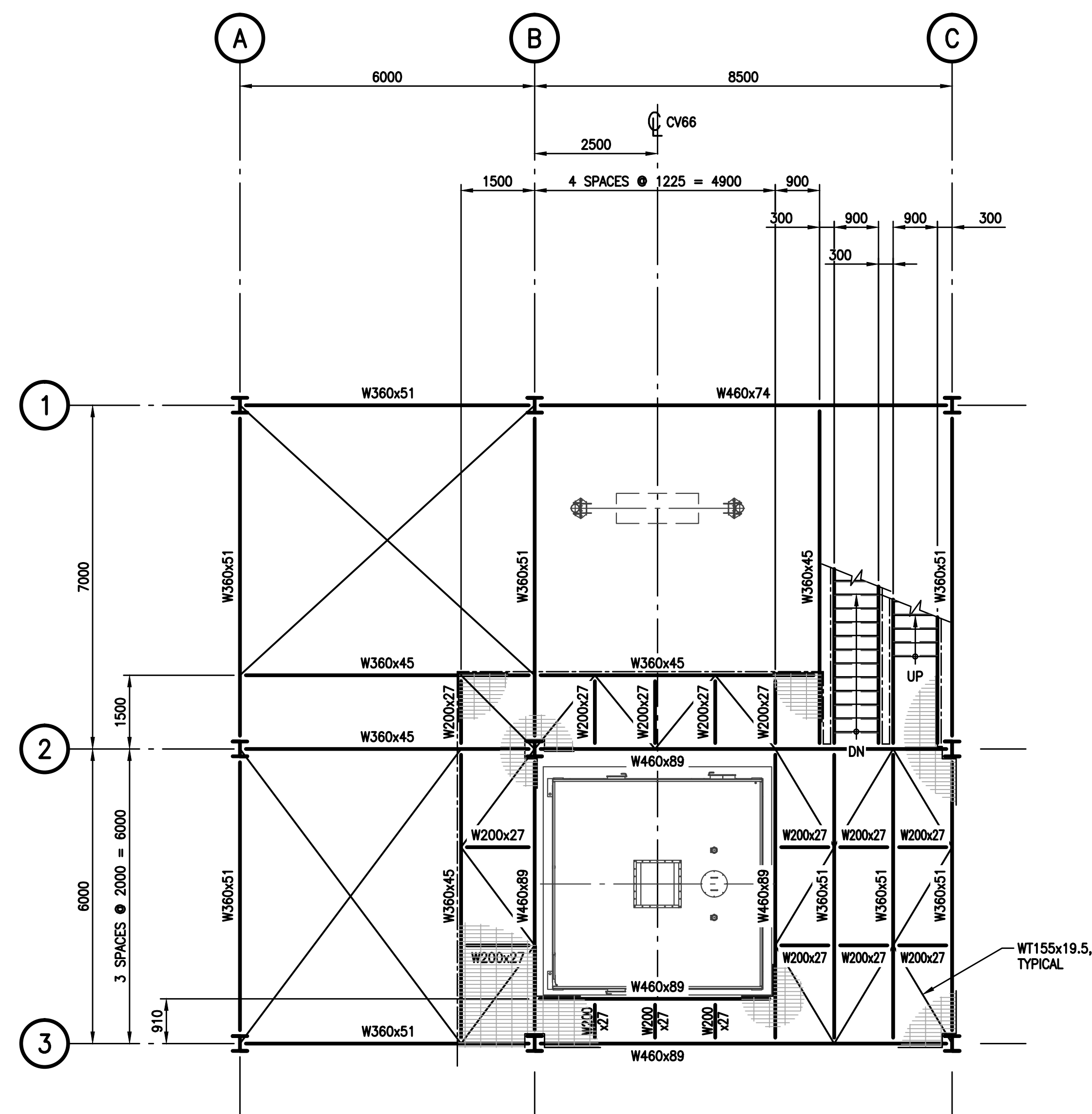
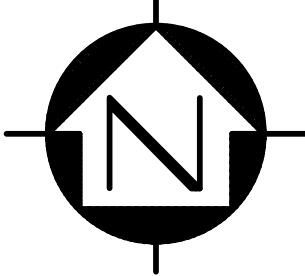
No.	DATE	DESCRIPTION	DRAWN	DWG. CHECK	DESIGN	DESIGN CHECK	APPROVED
P3	2016-08-24	ISSUED FOR CLIENT REVIEW - CLADDING REMOVED	CPL	-	-	-	-
P2	2015-12-18	ISSUED FOR CLIENT REVIEW (INBOUND WEIGHING)	CPL	GYC	ADB	GYC	-
P1	2015-09-11	ISSUED FOR BUDGETARY PRICING	CPL	-	-	-	-

**FIBRECO EXPORT INC.**  
 NORTH VANCOUVER, B.C.  
**FIBRECO TERMINAL ENHANCEMENT PROJECT**  
**OUTBOUND AREA  
TRANSFER TOWER 2  
PLANS - SHEET 1**

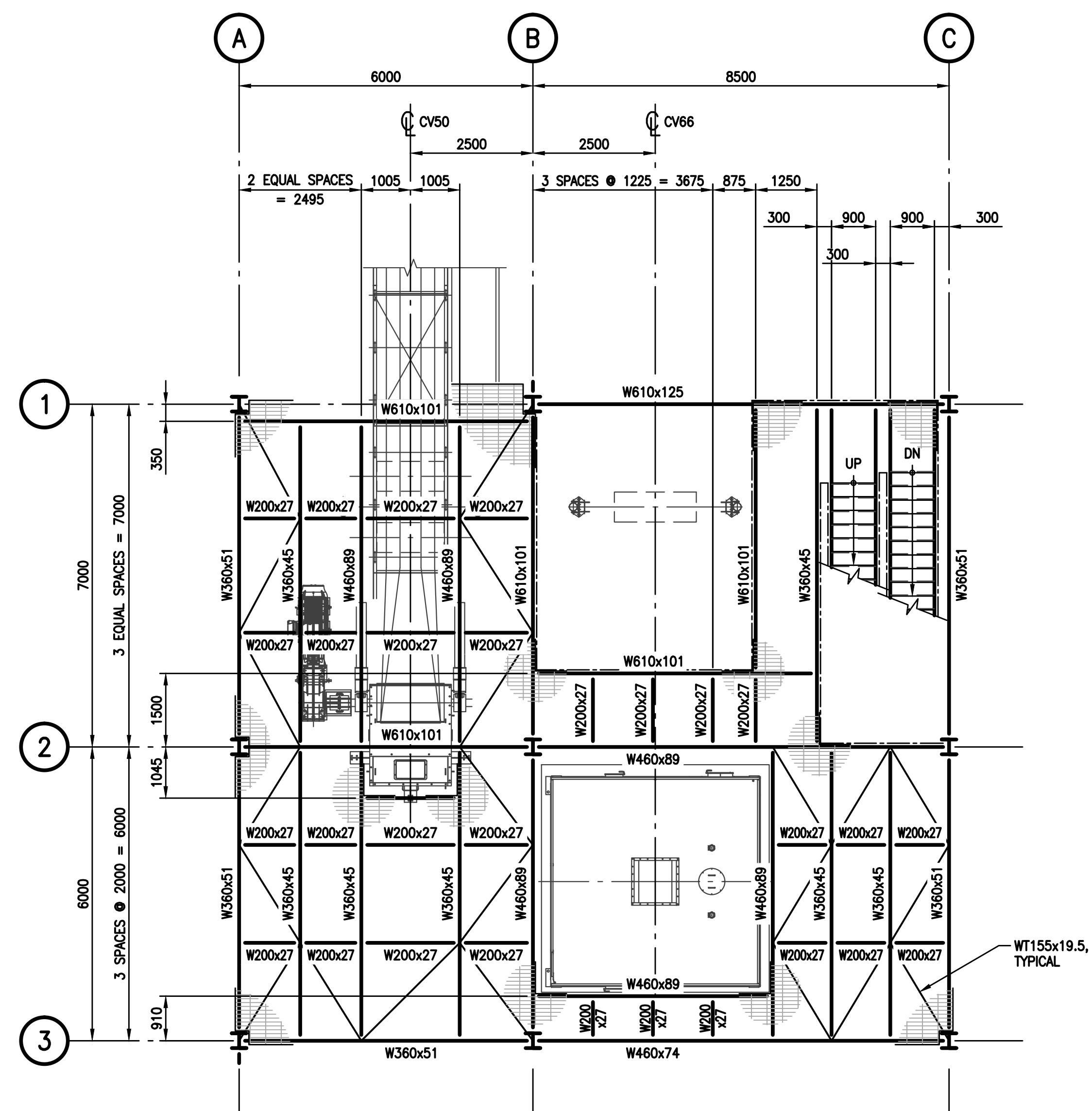
15006	400	ST	041	P3
PROJECT No.	AREA	DEPT.	DWG. No.	REV.

This drawing has been prepared by CWA Engineers Inc. as an instrument of service and is the exclusive property of CWA. This drawing shall be used solely for the purpose of this project. The client agrees that this drawing shall not be used for purposes other than those intended, and shall hold the engineer harmless for any other such use.





PLAN - T.O. STEEL FL. 20.850m (U.N.O.)  
1:75



PLAN - T.O. STEEL FL. 17.525m (U.N.O.)  
1:75

**NOTES:**

- FOR GENERAL NOTES SEE REF.1.

**PRELIMINARY  
NOT FOR CONSTRUCTION**

REF.	DWG. NUMBER	DESCRIPTION
1	15006-100-ST-001	GENERAL NOTES



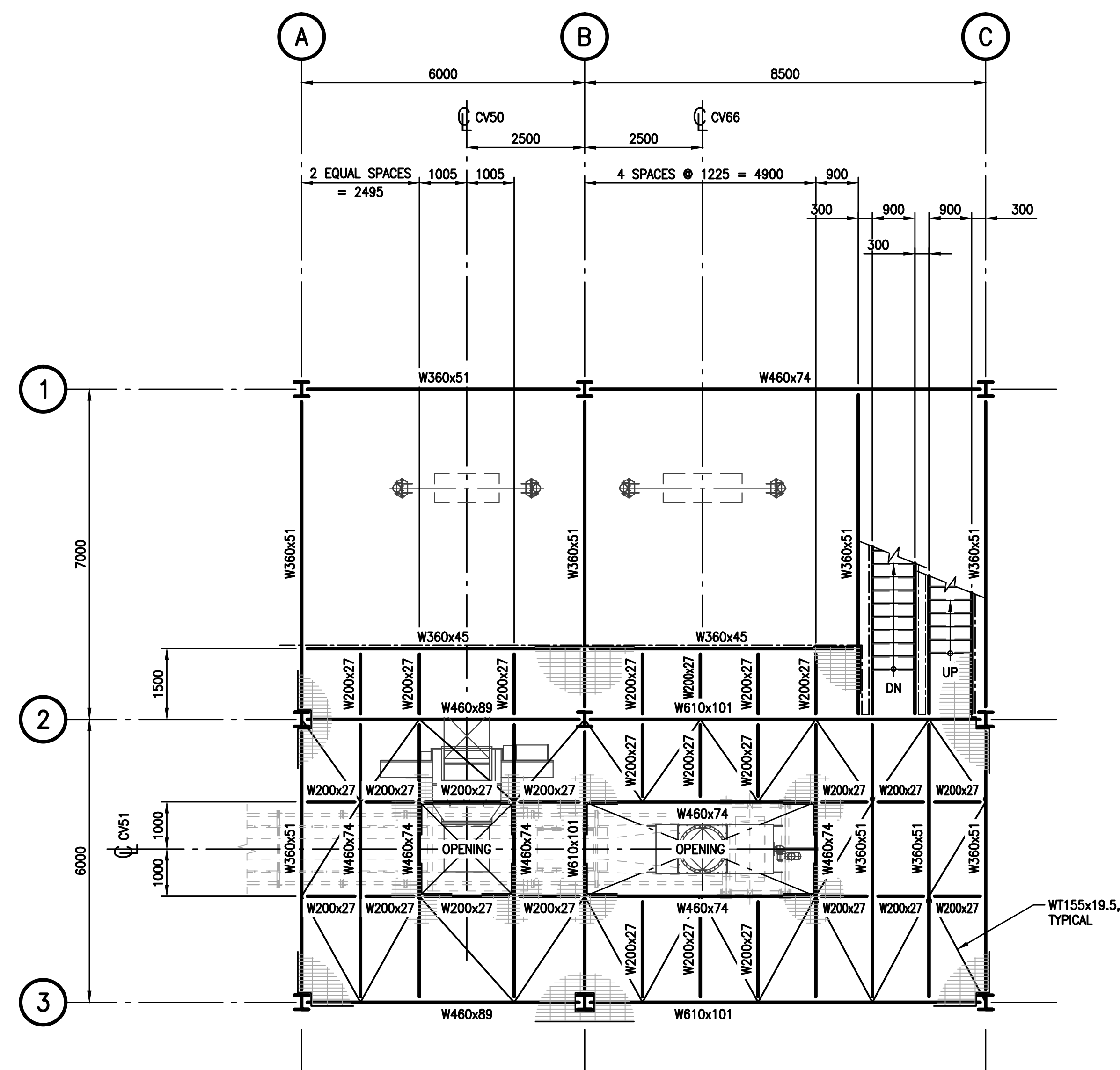
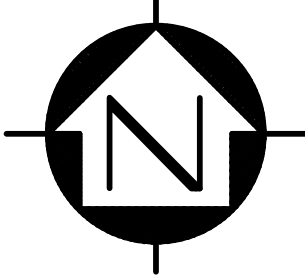
FIBRECO EXPORT INC.  
1209 McKeen Ave.  
North Vancouver, B.C.  
V7P 3H9  
TEL: (604) 980-6543  
FAX: (604) 984-2593

No.	DATE	DESCRIPTION	DRAWN	DWG. CHECK	DESIGN	DESIGN CHECK	APPROVED
P3	2016-08-24	ISSUED FOR CLIENT REVIEW - CLADDING REMOVED	CPL	-	-	-	-
P2	2015-12-18	ISSUED FOR CLIENT REVIEW (INBOUND WEIGHING)	CPL	GYC	ADB	GYC	-
P1	2015-09-11	ISSUED FOR BUDGETARY PRICING	CPL	-	-	-	-

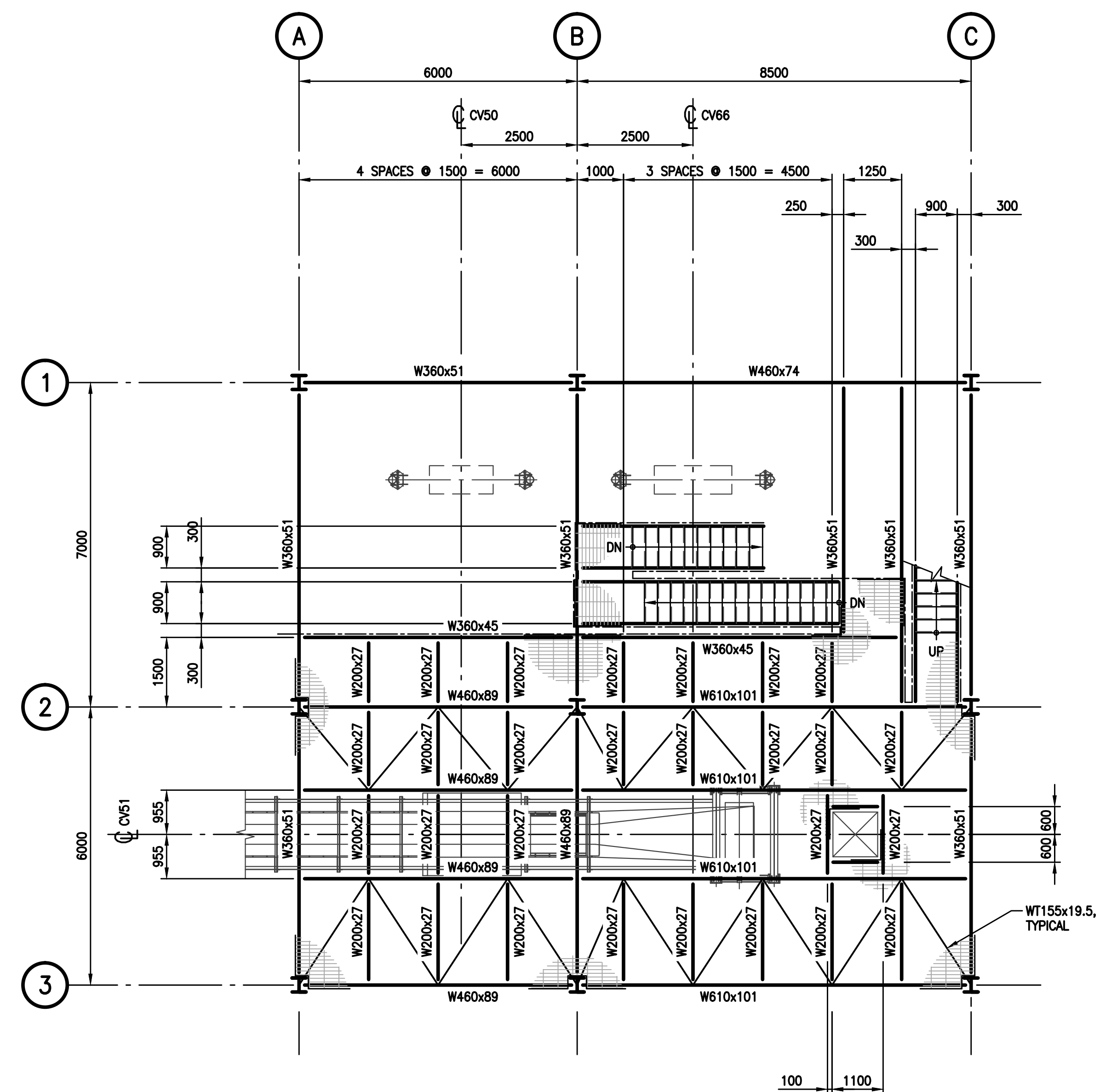


This drawing has been prepared by CWA Engineers Inc. as an instrument of service and is the exclusive property of CWA. This drawing shall be used solely for the purpose of this project. The client agrees that this drawing shall not be used for purposes other than those intended, and shall hold the engineer harmless for any other such use.

<b>FIBRECO EXPORT INC.</b>				
NORTH VANCOUVER, B.C.				
<b>FIBRECO TERMINAL ENHANCEMENT PROJECT</b>				
<b>OUTBOUND AREA TRANSFER TOWER 2 PLANS - SHEET 3</b>				
15006	400	ST	043	P3
PROJECT No.	AREA	DEPT.	DWG. No.	REV.



PLAN - T.O. STEEL FL. 14.750m (U.N.O.)  
1:75



PLAN - T.O. STEEL FL. 8.950m (U.N.O.)  
1:75

**NOTES:**

1. FOR GENERAL NOTES SEE REF.1.

**PRELIMINARY  
NOT FOR CONSTRUCTION**

REF.	DWG. NUMBER	DESCRIPTION
1	15006-100-ST-001	GENERAL NOTES



FIBRECO EXPORT INC.  
1209 McKeen Ave.  
North Vancouver, B.C.  
V7P 3H9  
TEL: (604) 980-6543  
FAX: (604) 984-2593

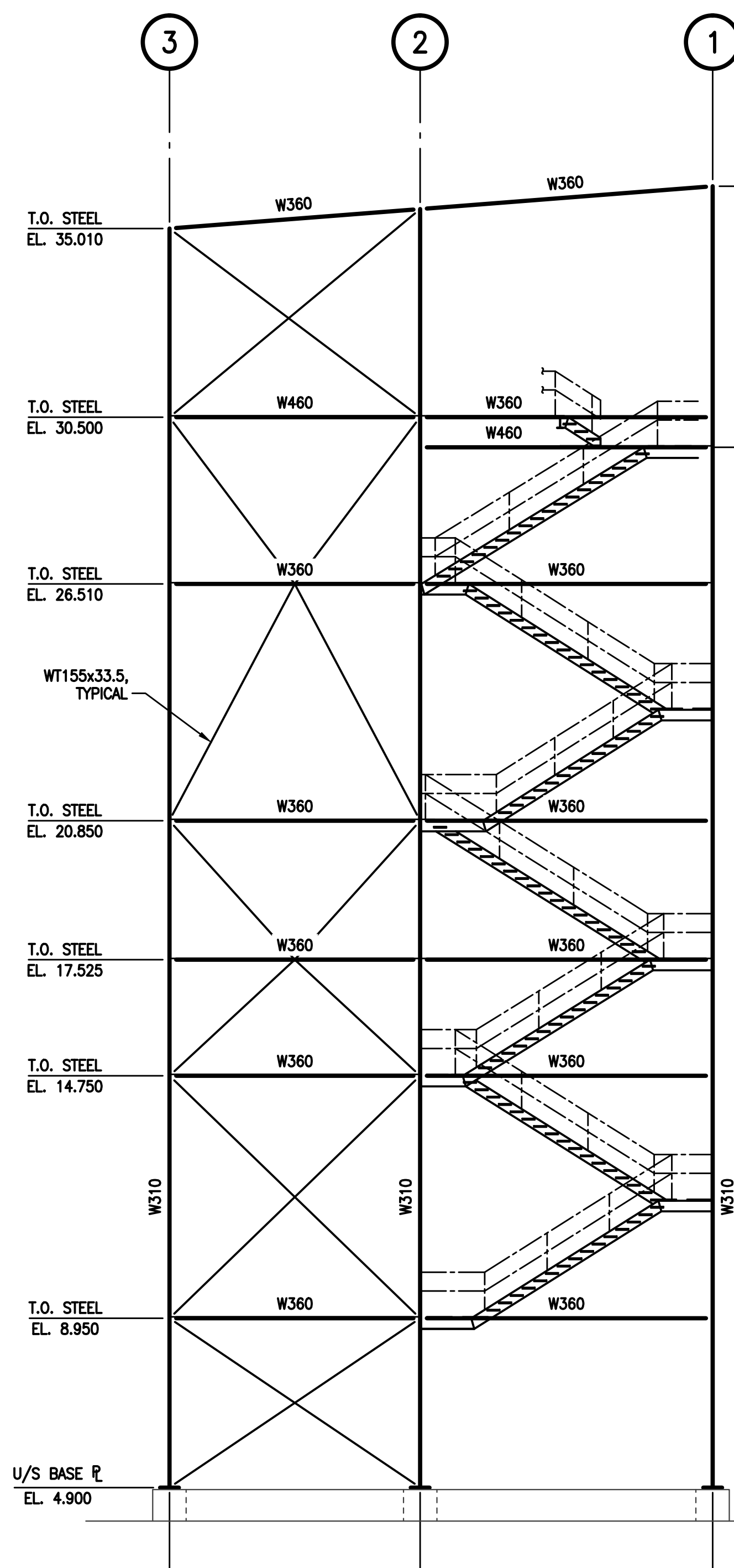
CLIENT PROJECT No: CWA ACAD FILE: 15006-400-ST-044\_P3.DWG

No.	YYYY-MM-DD	DESCRIPTION	DRAWN	DWG. CHECK	DESIGN	DESIGN CHECK	APPROVED
P3	2016-08-24	ISSUED FOR CLIENT REVIEW - CLADDING REMOVED	CPL	-	-	-	-
P2	2015-12-18	ISSUED FOR CLIENT REVIEW (INBOUND WEIGHING)	CPL	GYC	ADB	GYC	-
P1	2015-09-11	ISSUED FOR BUDGETARY PRICING	CPL	-	-	-	-

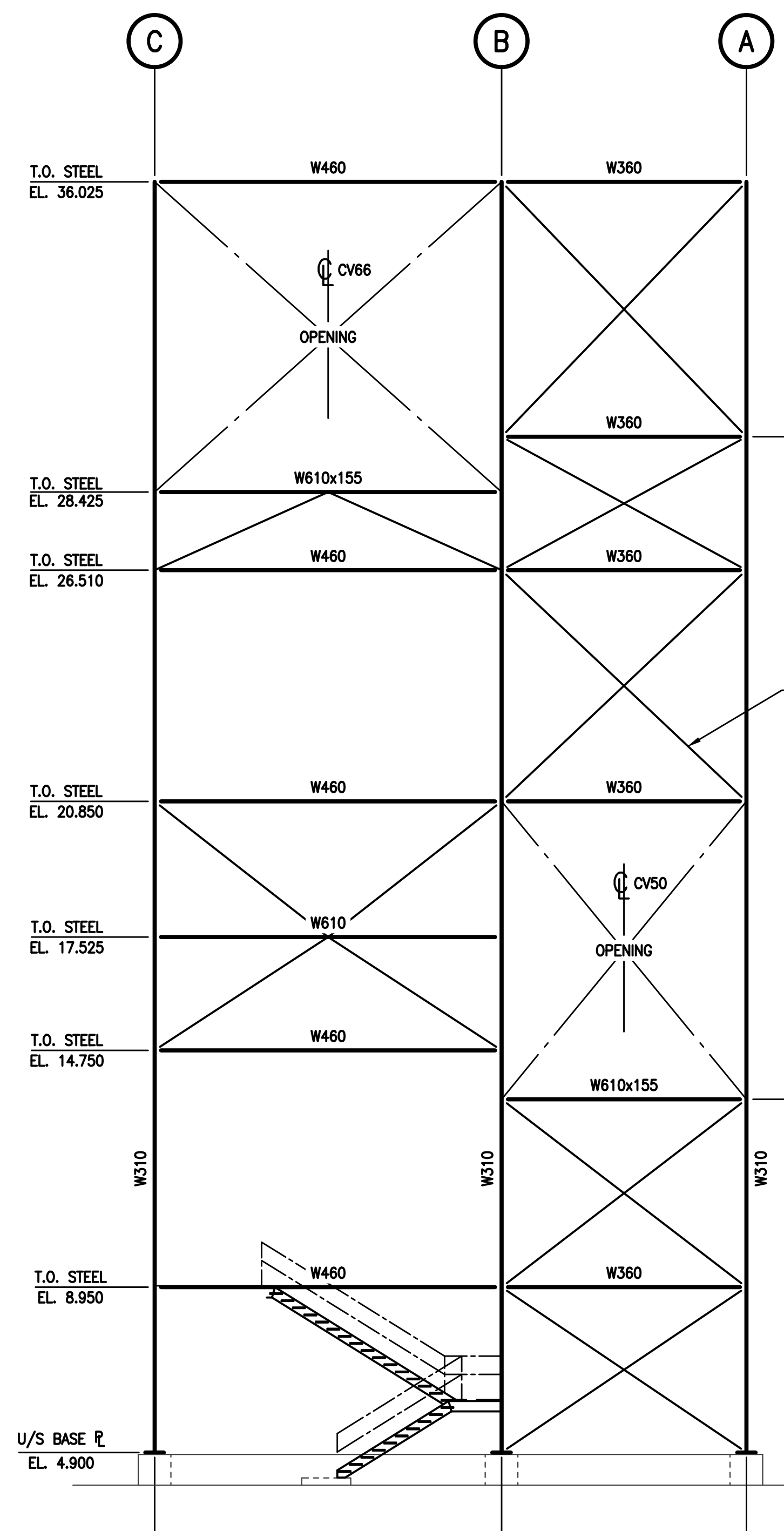


This drawing has been prepared by CWA Engineers Inc. as an instrument of service and is the exclusive property of CWA. This drawing shall be used solely for the purpose of this project. The client agrees that this drawing shall not be used for purposes other than those intended, and shall hold the engineer harmless for any other such use.

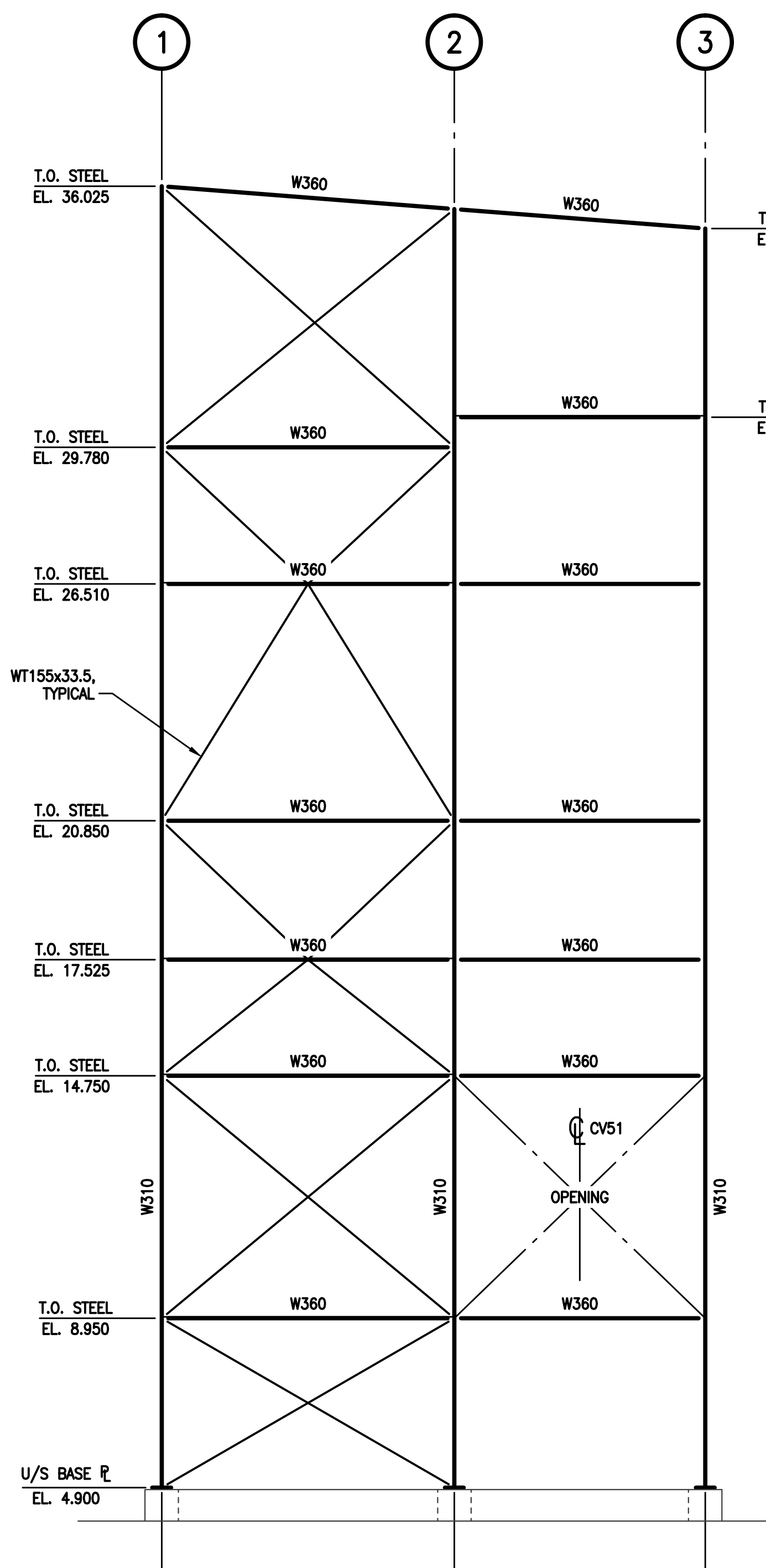
<b>FIBRECO EXPORT INC.</b>				
NORTH VANCOUVER, B.C.				
<b>FIBRECO TERMINAL ENHANCEMENT PROJECT</b>				
<b>OUTBOUND AREA TRANSFER TOWER 2 PLANS - SHEET 4</b>				
15006	400	ST	044	P3
PROJECT No.	AREA	DEPT.	DWG. No.	REV.



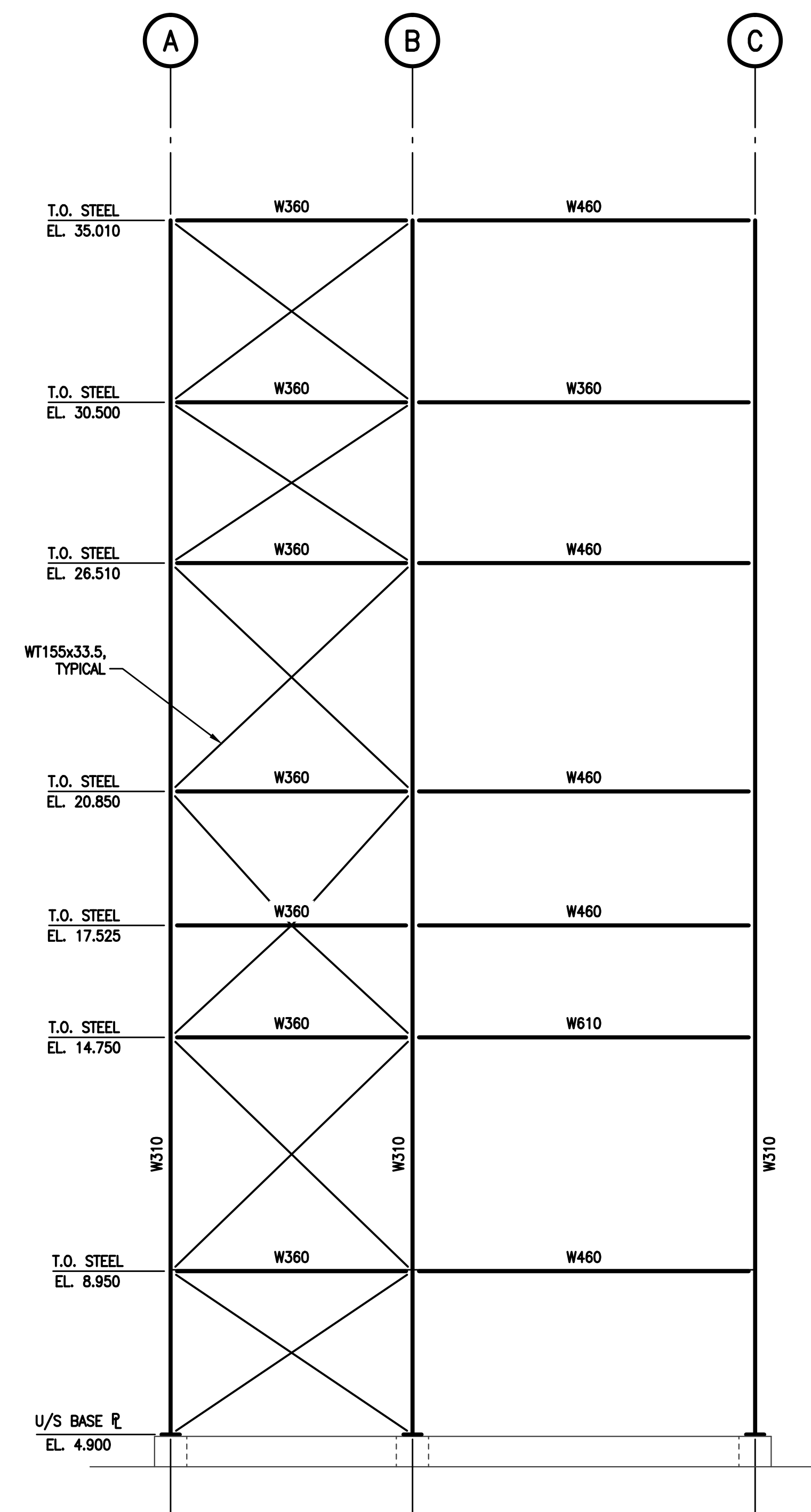
**EAST ELEVATION**  
1:100



**NORTH ELEVATION**  
1:100



**WEST ELEVATION**  
1:100



**SOUTH ELEVATION**  
1:100

**NOTES:**

1. FOR GENERAL NOTES SEE REF.1.

**PRELIMINARY  
NOT FOR CONSTRUCTION**

REF.	DWG. NUMBER	DESCRIPTION
1	15006-100-ST-001	GENERAL NOTES



FIBRECO EXPORT INC.  
1209 McKeen Ave.  
North Vancouver, B.C.  
V7P 3H9  
TEL: (604) 980-6543  
FAX: (604) 984-2593

No.	DATE	DESCRIPTION	DRAWN	DWG. CHECK	DESIGN	DESIGN CHECK	APPROVED
P3	2016-08-24	ISSUED FOR CLIENT REVIEW - CLADDING REMOVED	CPL	-	-	-	-
P2	2015-12-18	ISSUED FOR CLIENT REVIEW (INBOUND WEIGHING)	CPL	GYC	ADB	GYC	-
P1	2015-09-11	ISSUED FOR BUDGETARY PRICING	CPL	-	-	-	-



This drawing has been prepared by CWA Engineers Inc. as an instrument of service and is the exclusive property of CWA. This drawing shall be used solely for the purpose of this project. The client agrees that this drawing shall not be used for purposes other than those intended, and shall hold the engineer harmless for any other such use.

FIBRECO EXPORT INC.				
NORTH VANCOUVER, B.C.				
FIBRECO TERMINAL ENHANCEMENT PROJECT				
OUTBOUND AREA TRANSFER TOWER 2 ELEVATIONS				
15006	400	ST	045	P3
DRAWN BY: CPL	SCALE: AS NOTED	PROJECT No.	AREA	DEPT.
			DWG. No.	REV.